



Mikuni RS Smoothbore Carburetors

Designed for in-line four cylinder performance motorcycles, the Mikuni RS Series Radial Flat Slide Carburetors offer superior horsepower gains with their maximum flowing smoothbore induction tract and radial flat slide design. An adjustable accelerator pump system helps to provide instant throttle response, particularly in the lower RPM range. The RS Series Carburetors feature a compact design which is 25% lighter than other performance Carburetors and uses readily available Mikuni jets. Available sizes : RS34, RS36, RS38 and RS40mm.

Features of the RS Series Carburetors

- Adjustable Pump Adjust Screws. Sets ON and OFF operation of accelerator pump in relation to throttle slide position.
- Throttle Return Spring. A choice of positioning pegs allow adjustment of spring tension.
- Idle Adjustment Screw. Controls engine idle speed.
- Adjustment Accelerator Pump. Squirts fuel into carburetor venturi when throttle is opened to improve engine response.
- Starter System. Provides fuel enrichment for cold engine starting.
- Adjustable Pump Spray Nozzle. Shoots fuel directly into the intake tract for immediate engine response.

Features of the RS Series Carburetors

- Jet Needle Clip. Easy adjustment feature for quick adjustment.
- Flat Throttle Valve Design. Provides the strongest signal for precise and instantaneous throttle response.
- Float Bowl Vent. Allows atmospheric pressure into float bowl for fuel flow.
- Smooth Throttle Bore/Venturi. Produces the optimum air and fuel mixture flow at all RPM's.
- Genuine Mikuni Jets and Tuning Components. Provides for precise fuel metering.
- Pilot Air Jet. Use in conjunction with the Pilot Fuel Screw for tuning of mixture at idle to 1/4 throttle.

Ordering RS Smoothbore Carburetors

Available in 34, 36, 38 and 40mm bore sizes with different carb spacing for particular bike applications and with different jetting to match engine modifications. Please see application chart listing on next page. **Note:** These are guidelines only. Specifications are subject to change.

Center Bell Crank

Mikuni No.	Order No.
RS34-D21	001-319
RS36-D3	001-320
RS36-D8	001-321
RS38-D19	001-325
RS38-D35	001-326
RS40-D1	001-330
RS40-D12	001-331

Left Side Bell Crank

Mikuni No.	Order No.
RS36-D9	001-322
RS38-D29	001-327
RS40-D7	001-332

IMPORTANT: Mikuni RS Carburetors are legal in California ONLY FOR RACING VEHICLES WHICH MAY NEVER BE USED UPON A PUBLIC STREET OR HIGHWAY. In other locations check for similar laws which may apply.

Standard Jetting Specifications Center Bell Crank

Mikuni No.	Application * (General)	Carb Spacing (Throttle Shaft No.) A-B-C	Spigot (O.D.) MM	Main Jet N100.604	Jet Needle (J8-) (Clip Pos.)	Needle Jet #568 (784-13002)	Pilot Jet (VM28/486)	Pilot Screw (Turns)
RS34-D21	Suz GSX600F Katana (1988) Suz GSX-R750 (88-92) Suz GS750 Kaw KZ750	77-93-77 (700-17011)	40	115 115 115	9DZH01* (-3)	P-4	17.5	1/4-1/2
RS36-D8	Kaw ZX900A Ninja (84-86) Kaw ZX1000A Ninja (86-87) Yam FJ1100 (84-85) Yam FJ1200 (86-92)	77-85-77 (700-17011)	42	130 130 130 130	9DZH01* (-3)	P-4	17.5	1/4-1/2
RS36-D3	Kaw KZ1000J/K/M/R (81-83) Kaw KZ1100A/D (81-85) Suz GSX600F Katana (1988) Suz GS1000/1100/1150 Suz GSX-R750/1100 Air Cooled	77-93-77 (700-17011)	42	120 120 120 120	9DZH01* (-3)	P-4	17.5	1/4-1/2
RS38-D19	Kaw KZ1000J/K/M/R (81-83) Kaw KZ1100A/D (81-85) Suz GSX600F Katana (1988) Suz GS1000/1100/1150 Suz GSX-R750/1100 Air Cooled	77-93-77 (700-17011)	42	135 135 135 135	9DZH01* (-3)	P-4	17.5	1/4-1/2
RS38-D35	Kaw ZX900A Ninja (84-86) Kaw ZX1000A Ninja (86-87) Yam FJ1100 (84-85) Yam FJ1200 (86-92)	77-85-77 (700-17011)	42	130 130 130	9DZH01* (-3)	P-4	17.5	1/4-1/2
RS40-D12 For Race use on models listed	Kaw ZX900A Ninja (84-86) Kaw ZX1000A Ninja (86-87) Yam FJ1100 (84-85) Yam FJ1200 (86-92)	77-85-77 (700-17011)	44	140 140 140 140	9CHY03* (-2)	Y-6	17.5	1/4-1/2
RS40-D1 For Race use on models listed	Kaw KZ1000J/K/M/R (81-83) Kaw KZ1100A/D (81-85) Suz GS1000/1100/1150 Suz GSX-R750/1100 Air Cooled	77-93-77 (700-17011)	44	140 140 140 140	9CHY03* (-3)	Y-6	17.5	1/4-1/2

Standard Jetting Specifications Left Bell Crank Uses left side throttle linkage.

** RS36-D9	Kaw KZ1000J/K/M/R (81-83) Kaw KZ1100A/D (81-85) Suz GSX600F Katana (1988) Suz GS1000/1100/1150 Suz GSX-R750/1100 Air Cooled	77-93-77 (700-17012)	42	120 120 120 120	9DZH01* (-3)	P-4	17.5	1/4-1/2
** RS38-D29	Kaw KZ1000J/K/M/R (81-83) Kaw KZ1100A/D (81-85) Suz GS1000/1100/1150 Suz GSX-R750/1100 Air Cooled	77-93-77 (700-17012)	42	135 135 135	9CHY3* (-3)	Y-6	17.5	1/4-1/2
** RS40-D7 For Race use on models listed	Kaw KZ1000J/K/M/R (81-83) Kaw KZ1100A/D (81-85) Suz GS1000/1100/1150 Suz GSX-R750/1100 Air Cooled	77-93-77 (700-17012)	44	140 140 140 140	9CHY03* (-3)	Y-6	17.5	1/4-1/2

RS Series Notes

Mikuni No. (part number) in application chart above denotes size in millimeters. RS34-D21 = RS34.

** Uses left side throttle linkage.

• Applications (General) - These are guidelines only. Specifications are subject to change.

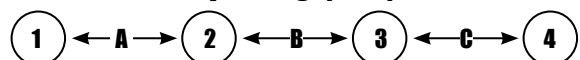
• RS34 and RS36 Carburetors may use Jet Needle #9DZH05.

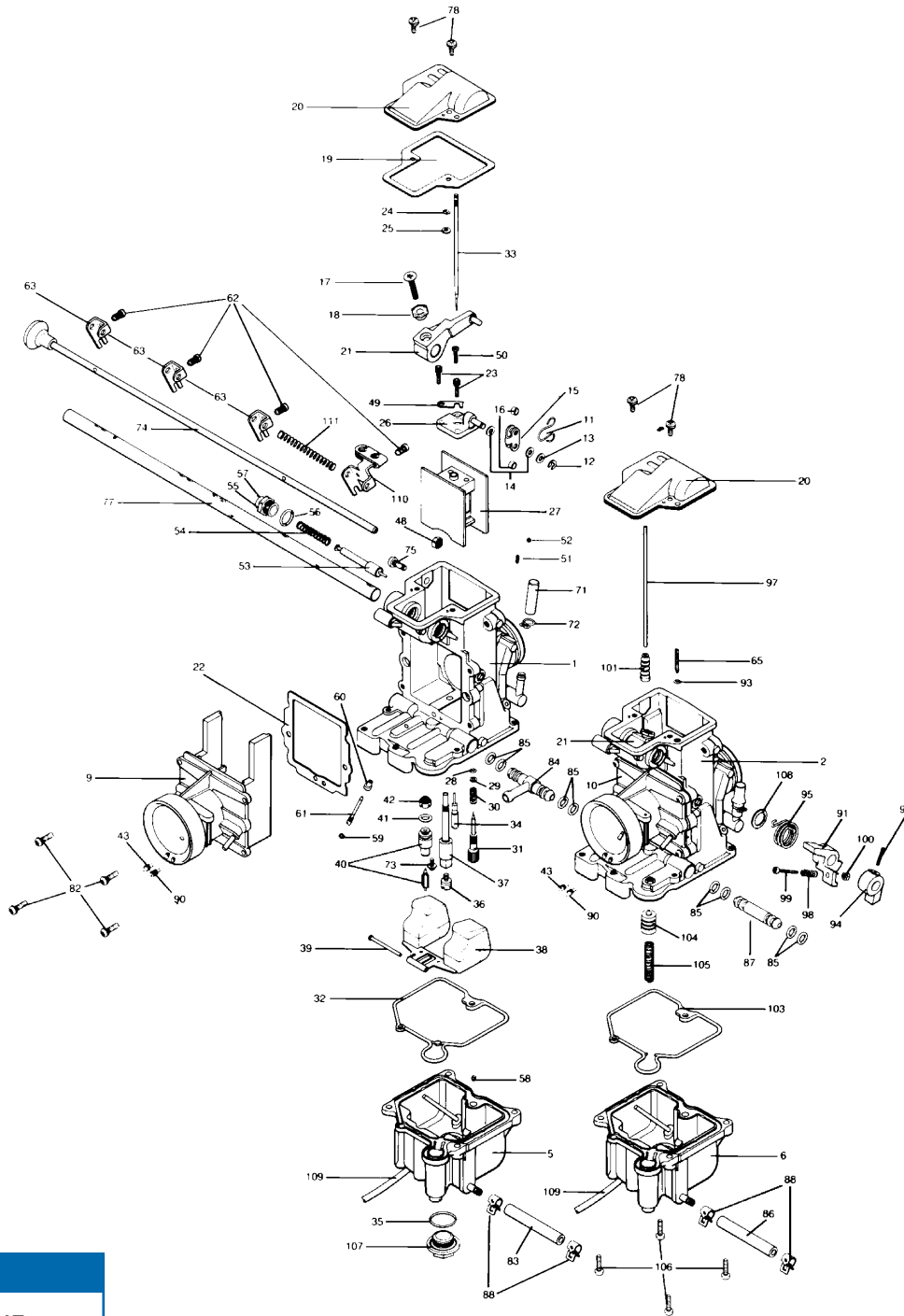
• RS38 and RS40 Carburetors may use Jet Needle #9CHY10.

Pre Kawasaki KZ1000J models require qt 4 mounting flanges.

Order No. 005-866, Qt 4 set.

Carburetor Spacing (mm):





Float Height

All sizes 17mm

RS Smoothbore Replacement Parts

• Lined through part numbers are no longer available.

Applications: RS34, RS36, RS38, RS40 Smoothbore

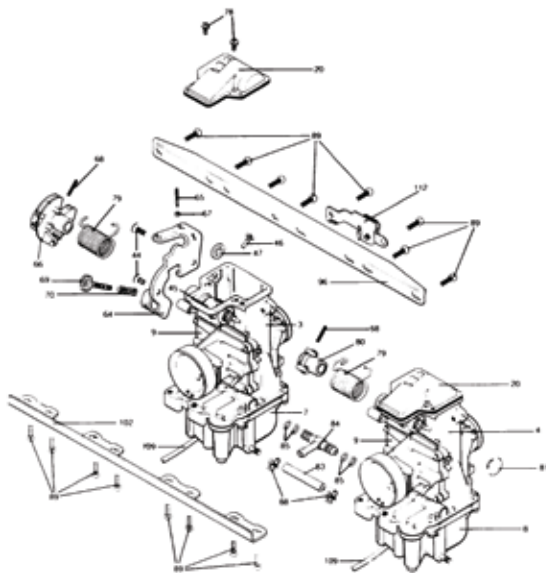
No.	Description	Mikuni No.	Order No.
1.	Mixing Body	TM36SS51	_____
2.	Mixing Body	TM36SS55	_____
3.	Mixing Body	TM36SS56	_____
4.	Mixing Body	TM36SS57	_____
5.	Float Chamber Body	TM36/69	_____
6.	Float Chamber Body	TM36/71	_____
7.	Float Chamber Body	TM36/73	_____

IMPORTANT: Mikuni RS Carburetors are legal in California only for RACING vehicles which may never be used upon a public street or highway. In other locations check for similar laws which may apply.

RS Smoothbore Replacement Parts

• Lined through part numbers are no longer available.

No.	Description	Mikuni No.	Order No.
8.	Float Chamber Body	TM36/75	_____
9.	Air Funnel Body	TM36/27A	_____
10.	Air Funnel Body	TM36/27B	_____
11.	Clip, T.V. Lever	TM27/05A	_____
12.	E-Ring, T.V. Lever	BSW28/70	002-355
13.	Washer, T.V. Lever	M10/56	002-632
14.	Packing, T.V. Lever	B40I/10	002-629
15.	Plate, T.V. Lever	TM27/04	_____
16.	Ring, T.V. Lever	TM29/65	_____
17.	Screw, Sync. Lock	C5=0518	007-117
18.	Ring, Sync. Adjust	TM36/06	007-118
19.	Gasket, Top Cover	TM36/39	007-119
20.	Top Cover, Carb	TM36/59	_____
21.	Lever Ass'y., T.V. #1 & #2	TM36/51	_____
22.	Gasket, A/Funnel	TM36/42	007-658
23.	Screw, 2.5mm Allen	739-13001	007-123
24A.	E-Ring, RS34, RS36 Needle	VM20/369	002-083
24B.	E-Ring, RS38, RS40 Needle	BS32/126	002-455
25A.	Washer, RS34, RS36 Needle Clip	VM26/315	007-124
25B.	Washer, RS38, RS40 Needle Clip	826-03002	007-267
26.	Connector Plate, T.V.	TM36/54	_____
27A.	Throttle Valve 2.0, RS34, RS36	Mikuni only	_____
27B.	Throttle Valve 2.0, RS38, RS40	Mikuni only	_____
28.	O-Ring, Pilot Fuel Screw	N133.037	002-858
29.	Washer, Pilot Fuel Screw	VM12/33	002-856
30.	Spring, Pilot Fuel Screw	N133.206	007-137
31.	Spring, Pilot Fuel	604-26003	007-138
32.	O-Ring, F.C.B. #1-3-4	616-94020	007-140
33.	Jet Needle	9 Series	Pg.127
34.	Pilot Jet	VM28/486	Pg.135
35.	O-Ring, Float Bowl Drain Plug	VM28/254	002-531
36.	Main Jet	N100.604	Pg.137
37.	Needle Jet #568 Series	784-13002	Pg.130
38.	Float Assembly	859-32011	007-141
39.	Pin, Float	VM30/160	002-605
40.	Needle Valve Assembly	N149.040	Pg. 134
41.	O-Ring, Needle Valve	KV/10	002-709
42.	Filter, Needle Valve	VM18/233	002-606
43.	Main Air Jet (Plugged)	BS30/97	002-149
44.	Screw, Crank Bracket	C8=0512	_____
45.	Lever Assembly, T.V. #3 Carb	TM36/57	_____
46.	Screw, Lever Lock	C5=0514	007-625



RS Smoothbore Replacement Parts (cont.)

No.	Description	Mikuni No.	Order No.
47.	Packing, Shaft	VM28/174	_____
48.	Hexagon, Locknut	VM18/267	_____
49.	Plate, Needle Retainer	TM36/12	_____
50.	Screw, T.V. Plate	C2-0310	_____
51.	Spring, Starter Shaft	B21/29	007-155
52.	Ball, Starter Shaft	B21/18	007-156
53.	Plunger, Starter	N151.038	007-747
54.	Spring, Starter	VM16/42	002-671
55.	Guide Holder, Starter	V640-12002	_____
56.	O-Ring, Starter	N138.198	007-160
57.	Cap, Starter	N106.211	_____
58.	Starter Jet	VM17/1002	Pg.136
59.	O-Ring, A/P Nozzle	N124.063	007-163
60.	Plug, A/P Nozzle	TM29/14	007-164
61.	Pump, Nozzle	TM36/43	007-165
62.	Screw, Start Bracket	N158.052	002-659
63.	Lever, Start Shaft	N178.656	_____
64.	Bracket, Bell Crank	TM36/37D	_____
65.	Adjuster Screw, A/P	TM36/48A	007-168
66.	Lever Assembly, Bell Crank	TM36/31	_____
67.	Hexagon Nut, A/P	N2-03-B	_____
68.	Pin, Bell Crank	N138.019	007-171
69.	Adjuster, Idle	739-55003	007-490
70.	Spring, Idle Adjuster	N110.209	002-655
71.	Cap, Vacuum Fitting	N148.013	002-646
72.	Spring Clip, Vacuum Fitting	BVK28/128	_____
73.	Screw, Needle Valve Holder	VM13/216	007-174
74.	Shaft Assembly, Starter	TM36/34A	_____
75.	Pan Head Screw	C2=0508-B	002-648
76.	Flat Head Screw	C5=0514	007-625
77A.	Shaft, Throttle B/C #3	700-17011	002-904
77B.	Shaft, Throttle B/C #1	700-17012	002-905
77C.	Shaft, Throttle B/C #3	700-17013	002-906
78.	Screw, Top Cover	CW2=0408	007-175
79.	Spring, Throttle Return	TM36/46A	007-204
80.	Lever, Throttle Return Spring	TM36/33	_____
81.	Cap, Shaft End	TM33/36A	_____
82.	Screw, Air Funnel	VM38/133B	002-749
83.	Hose, Fuel Connect	888-44003	007-180
84.	Inlet, Fuel "T"	701-23018	_____
85.	O-Ring, Fuel Joint	616-23002	007-182
86.	Hose, A/P Fuel	888-4404	_____
87.	Joint, Fuel	792-20014	007-184
87A.	Joint, Fuel	792-20013	007-183
	For RS36-D3, RS38-D19, RS40-D1		
88.	Clip, Fuel Hose	E100729-BB	_____
89.	Screw, Bracket	C2=0512-B	_____
90.	Pilot Air Jet	BS30/97-0.8	Pg. 136
91.	Lever, A/Pump	TM36/17	007-292
92.	Pin, A/Pump Locate	BN38/43	007-617
93.	O-Ring, A/Pump	B30-205	007-188
94.	Lever, A/Pump	TM36/18	007-189
95.	Spring, A/Pump	TM36/45	007-190
96.	Plate, Top Bracket	TM36/35	_____
97.	Rod, A/Pump	TM36/44	007-192
98.	Spring, A/Pump Adjust	M12F/46A	002-181
99.	Screw, A/Pump Adjust	MC-0316-B	007-193
100.	Hexagon Nut, A/Pump Adjust	N3=03-B	007-194
101.	Cap, A/Pump Rubber	TM36/64	007-195
102.	Plate, Lower Bracket	TM36/36	_____
103.	O-Ring, F.C.B. A/Pump	616-94021	007-197
104.	Plunger, A/Pump (12mm)	TM36/60A	007-198
105.	Spring, A/Pump (12mm)	VM14SC13/89	007-200
106.	Screw, Float Bowl	C2=0412-B	007-201
107.	Plug, Float Bowl Drain	VM33/77	002-603
108.	Ring, A/Pump Spring	E204.040	_____
109.	Hose	888-23026	007-608
110.	Lever, Starter Cable	TM36/63	007-205
111.	Spring, Bracket	730-06027	007-206
112.	Bracket, Cable	TM36/61	007-207

Exhaust

Chemicals

Intake

Control

Suspension

Engine

Electrical

Vintage

Tools

Watercraft



Mikuni Methanol Conversion Kit

The Mikuni Methanol kit includes all necessary components, such as main jets, jet needles, needle jets, o-rings, needles valves, etc. to convert your RS38 or RS40 to methanol. Sold as a Kit.

Note: Requires experienced tuner or technician familiar with re-jetting for methanol usage.

Mikuni No.	Order No.
KRS-005	002-990



K&N Air Filter for RS Series

Chrome and Rubber end cap K&N filters for Mikuni RS series. Sold each.

K&N No.	Order No.
RC-0981 with Chrome End Cap	005-121
RU-0981 with Rubber End Cap	005-744



Needle Valve Assembly

(No. 40 in exploded view on page 88)

GENUINE Mikuni Needle Valve Assembly include needle valve and needle valve seat. Applications: RS34, RS36, RS38 & RS40

(O-Ring for Needle Valve Seat not included)

Size	Description	Mikuni No.	Order No.
(2.0)	Needle Valve & Needle Seat	N149.040	007-143
(2.5)	Needle Valve & Needle Seat	N149.040	007-144
(2.8)	Needle Valve & Needle Seat (Std)	N149.400	007-145
	(007-145 is Std on all RS Series)		
	O-Ring for Needle Valve Seat	KV-10	002-709
	Filter for Needle Valve Seat	VM18/233	002-606

Velocity Stacks

Velocity stacks improve the air flow into the Carburetors to increase induction efficiency and increase horsepower on racing engines where air filters are not required. Fits all Mikuni RS series Carburetors and other Carburetors with 55mm O.D. intake bells. Choose length depending on chassis clearance and desired tuning characteristics (short length-broad high RPM power; medium length-mid RPM power; long length-low RPM power); Sold set/4.

Length	Mikuni No.	Order No.
15mm	KRS-007	005-253
30mm	KRS-002	005-250
50mm	KRS-003	005-251
70mm	KRS-004	005-252

Jet Needles

(No. 33 in exploded view on page 88)

Applications: RS34, RS36 Smoothbore

9DZH01 (Std)	2.50	Leaner	007-035
9DZH03	2.49	↕	007-037
9DZH04	2.48	Richer	007-038

Applications: RS38, RS40 Smoothbore

9CHY03 (Std)	2.99	Leaner	007-020
9CHY05	2.98	↕	007-022
9CHY06	2.97	Richer	007-023



Sudco Intake Carb Holders

These carb holders are needed when mounting RS Smoothbore carburetors to early model KZ1000. (pre 1981)

Sold set of 4. Made in Japan.

Order No. 005-866



005-230

Motion Pro Push/Pull Throttle Assembly

A push/pull throttle is required with the use of all Mikuni Racing Carburetors to assure the positive closing of the carburetor throttle slides against the high vacuum pressures encountered in racing engines. This push/pull throttle assembly includes a twist throttle assembly, push and pull cables with adjusters. Sold each.

Order No. **005-230**

Replacement Parts for Push/Pull Throttle Assembly

Description	Order No.
Pull Throttle Cable	005-230A
Push Throttle Cable	005-230B
Throttle Only	005-230C
Throttle Tube	005-230D



Sudco Mikuni Carb Tool Kit

This handy little tool kit includes a multi-purpose wrench with ruler markings, screwdriver with assorted blades and sockets. Sold as a set.

Order No. **002-405**



009-102

009-100

Brass Fuel T-Fittings

Sold each.

Description	Mfg. No.	Order No.
1/4" Brass Fuel T	44555K138	009-100
.17" Brass Fuel T	44555K137	009-101
3/8" Brass Fuel T	44555K139	009-102



Mikuni Pocket Tuner

A handy pocket-size calculator which can be used to determine required jetting changes in Mikuni Carburetors due to climate and temperature changes. The Pocket Tuner is applicable to both single and multi-carburetor applications on two-stroke and four-stroke engines. It also has a guide for determining rich or lean carburetor conditions. Sold each. Order No. **002-430**



Sudco Mikuni Tuning Manual

This 92 page manual includes exploded parts views, parts listings and optional parts. Guides you through tuning and trouble shooting for the popular lines of Mikuni Carburetors. The definite reference for Mikuni Carburetors and a must for any do-it-yourself type.

Sold each. Order No. **002-999**

Exhaust

Chemicals

Intake

Control

Suspension

Engine

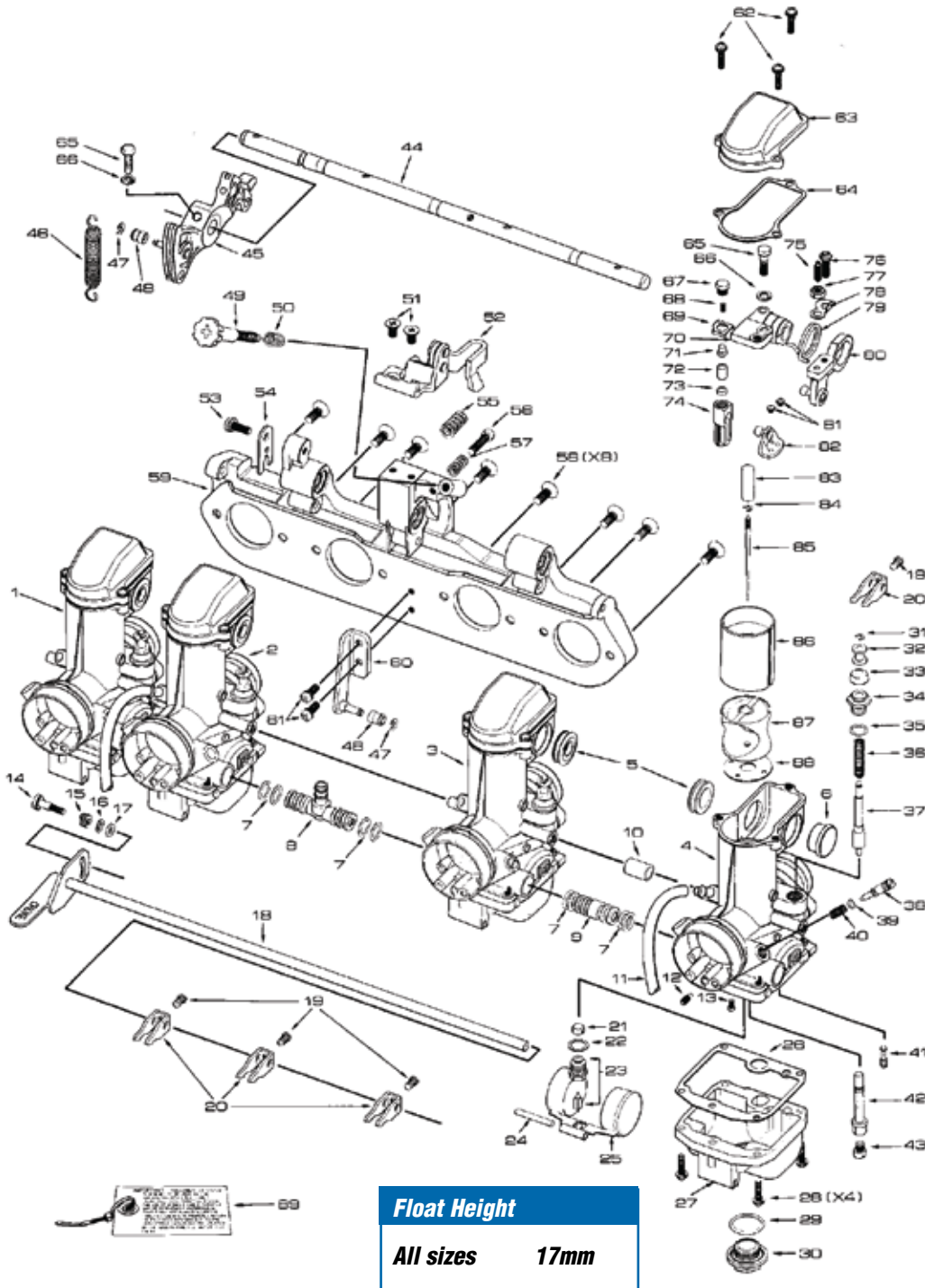
Electrical

Vintage

Tools

Watercraft

IKUNI VM29 Smoothbore Exploded View



Standard Jetting Specifications VM29 Smoothbore

Application	Carb Model	Main Jet	Air Jet	Pilot Jet	Jet Needle	Needle Jet	Float Height	Throttle Valve
Honda CB750 (SOHC) -1978	VM29-A2	#115	BS30/97	#17.5	#5DL31-3	0-8	23mm	VM29/15
Kawasaki KZ650 (77-79)	VM29-A7	#120	.9	#25	#5DL31-3	0-6	23mm	1.5
Kawasaki KZ900 (76-77)	VM29-A7	#120	.9	#25	#5DL31-3	0-6	23mm	1.5
Kawasaki KZ1000 (77-80)	VM29-A7	#120	.9	#25	#5DL31-3	0-6	23mm	1.5
Suzuki GS750 2-Valve (77-79)	VM29-A12	#115	.9	#25	#5DL31-3	0-6	23mm	2.0
Suzuki GS1000 2-Valve (78-79)	VM29-A12	#115	.9	#25	#5DL31-3	0-6	23mm	2.0

* Please Note: The following is for parts reference only. This Mikuni carburetor is no longer in production.

VM29 Smoothbore Replacement Parts

* Lined through part numbers are no longer available.

No.	Description	Mikuni No.	Order No.
1.	Mixing Body	VM29SS1/01B	_____
2.	Mixing Body	VM29SS2/01B	_____
3.	Mixing Body	VM29SS3/01B	_____
4.	Mixing Body	VM29SS4/01B	_____
5.	Seal, Rubber	VM24/489	_____
6.	End Cap, Rubber	VM28/559	_____
7.	O-Ring	BV30/40	002-617
8.	Fuel Joint	VM26/268	007-748
9.	Fuel Joint	VM26/269	_____
10.	Hose, Rubber	VM26-308	_____
11.	Hose, Rubber Air Vent	VM15/217	_____
12.	Air Jet	BS30/97	Pg.136
13.	Screw with Lock Washer	CW2-0307-G	007-494
14.	Screw, Starter Lever	VM28/269	_____
15.	Spring, Starter Lever	VM28/293	002-665
16.	Washer (Steel)	VM28/449	002-664
17.	Washer (Nylon)	VM28/268	_____
18.	Shaft, Starter	VM24/462	_____
19.	Screw, Starter Lever	VM28-360	_____
20.	Top Cover, Carb	VM26/435	_____
21.	Filter Screen	VM18/233	002-606
22.	Washer, Valve Seat	B34/52-0.5	002-187
23.	Needle Valve Assembly (2.5)	N122.032-2.5	002-503
	Needle Valve Assembly (2.8)	N122.032-2.8	002-504
24.	Float Pin	BV26/22	002-107
25.	Float Assembly.	VM26/260	002-501
26.	Gasket, Float Chamber (Bowl)	VM26/258	002-502
27.	Float Chamber (Bowl)	VM29/20 100	_____
28.	Screw with Lock Washer	CW2=0416-B	002-615
29.	O-Ring, Float Bowl Drain Plug	VM28/254	002-531
30.	Drain Plug, Float Bowl	VM28/253	002-526
31.	E-Clip, Starter Plunger	KP/13	002-673
32.	Bushing, Nylon	VM28/450	_____
33.	Cap, Starter Plunger Rubber	VM20/455	002-084
34.	Fitting, Starter Plunger	VM28/359	_____
35.	O-Ring, Starter Plunger	VM18/249	002-672
36.	Spring, Starter Plunger	VM16/42A	002-671
37.	Starter Plunger	VM24/510	002-670
38.	Pilot Air Screw	VM26/288	002-506
39.	O-Ring, Pilot Air Screw	VM14/75	002-676
40.	Spring, Pilot Air Screw	M12F/46A	002-181
41.	Pilot Jet	VM22/210	Pg.135
42.	Needle Jet O-6 (Std)	#261 Series	003-535
43.	Main Jet	N100.604	Pg.137
44.	Throttle Shaft	VM29/11	002-513
45.	Lever, Throttle Shaft	VM24/533	_____

VM29 Smoothbore Replacement Parts (cont.)

No.	Description	Mikuni No.	Order No.
46.	Spring, Throttle Return	VM24/536	_____
47.	E-Ring	BSW28/70	002-355
48.	Ring, Throttle Lever	VM24/532	_____
49.	Screw, Idle Adjusting	VM26/436	002-537
50.	Spring, Idle Adjusting	BNO42/31	002-538
51.	Screw, Throttle Bracket	C5-510	_____
52.	Bracket, Throttle	VM24/466	002-505
53.	Screw with Lock Washer	CW2=0514-B	002-516
54.	Plate	VM28/498	002-517
55.	Spring, Shock	BN38/341	007-491
56.	Screw, Throttle Adjuster	N11.053	_____
57.	Spring, Throttle Adjuster	N110.209	002-655
58.	Screw, Back Plate	C5-0614	_____
59.	Back, Plate	VM24/460	_____
60.	Bracket, Throttle Spring	VM24/513	002-533
61.	Screw, Throttle Spring Bracket	CW2=0514-B	002-516
62.	Screw with Spring Washer	CW2=0414	002-522
63.	Cover, Top (Mixing Chamber)	VM24/507	_____
64.	Gasket, Top Cover	VM28/549	002-524
65.	Bolt	VM28/230	002-519
66.	Lock Washer	W4=05-B	_____
67.	Cap Screw	VM29/04	_____
68.	Spring	B21/20	_____
69.	Lock Washer Plate	VM28/233	_____
70.	Lever Pull	VM28/554	_____
71.	Pin (Top)	VM28/105	_____
72.	Pin (Bottom)	VM20/05	_____
73.	Plate	VM20/06	_____
74.	Connector	VM20/07	_____
75.	Adjusting Screw	VM28/593	_____
76.	Bolt, Link Lever	B2-0416	002-539
77.	Nut	N3=05	_____
78.	Plate, Set	VM28/594	_____
79.	Spring	VM28/592	_____
80.	Link Lever Assembly	VM29/17	_____
81.	Screw with Lock Washer	CW2=0305	002-527
82.	Bracket, Connecting	VM29/08	_____
83.	Pin, Jet Needle Retaining	VM29/14	_____
84.	Pin, Jet Needle Retaining	VM20/369	002-083
85.	Jet Needle	J8-5DL31	002-268
86.	Throttle Valve 1.5	VM29/15	003-168
	Throttle Valve 2.0	VM29/15	003-169
	Throttle Valve 2.5	VM29/15	003-170
87.	Jet Block	VM29/10	_____
88.	Gasket, Jet Block	VM29/13	002-535
89.	Warning Tag	VM33/78	_____

Needle Valve Assembly (No. 23 in exploded view)

Size	Mikuni No.	Order No.
2.5	N122.032-2.5	002-503
2.8	N122.032-2.8	002-504

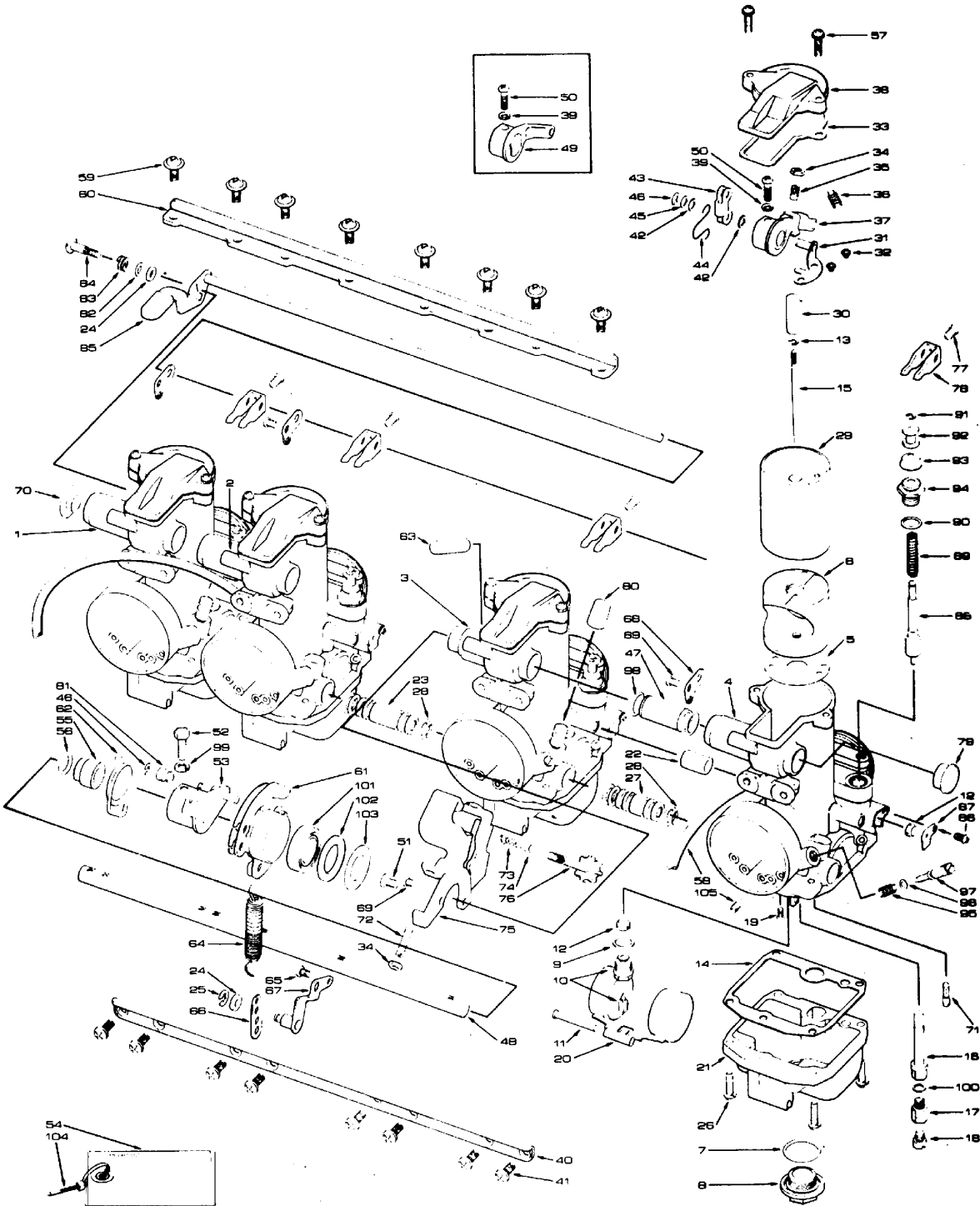


CB750 Intake Manifolds for SOHC **005-026**.
Use when mounting VM29 smoothbores.

Throttle Valves (No. 86 in exploded view)

Cutaway	Mikuni No.	Order No.
1.5	VM29/15	003-168
2.0	VM29/15	003-169
2.5	VM29/15	003-170

IKUNI VM33 Smoothbore Exploded View



Float Height

All sizes 23mm

Standard Jetting Specifications VM33 Smoothbore

Application	Carb Model	Main Jet	Air Jet	Pilot Jet	Jet Needle	Needle Jet	Float Height	Throttle Valve
Honda CB900/1100F	VM33-A4	#125	.7	#30	#6DJ30-2	0-8	23mm	1.5
Kawasaki KZ1000/1100	VM33-A14	#127.5	1.2	#17.5	#6DJ30-4	0-6	23mm	1.5
Suzuki GS1000/1100	VM33-A14	#132.5	.6	#17.5	#6DJ30-4	0-6	23mm	2.0
Yamaha XS1100	VM33-A14/D45	#132.5	.9	#17.5	#6DJ30-4	0-6	23mm	2.0
Kawasaki ZX900, 1000 Ninja	VM33-A14/D45	#125	.9	#20	#6DJ30-4	P-0	23mm	2.0

* Please Note: The following is for parts reference only. This Mikuni carburetor is no longer in production.

VM33 Smoothbore Replacement Parts

• Lined through part numbers are no longer available.

No.	Description	Mikuni No.	Order No.
1.	Mixing Body	VM33SS101/01B	_____
2.	Mixing Body	VM33SS101/01C	_____
3.	Mixing Body	VM33SS102/01C	_____
4.	Mixing Body	VM33SS103/01B	_____
5.	Gasket	VM33/31	002-600
6.	Jet Block	VM33/20	_____
7.	O-Ring	BNO42/64	002-602
8.	Drain Plug	VM33/77	002-603
9.	Washer, Needle Valve	B32/52-0.5	002-187
10.	Assembly, Needle Valve (2.5)	N122.032-2.5	002-503
	Assembly, Needle Valve (2.8)	N122.032-2.8	002-504
11.	Float Pin	VM30/160	002-605
12.	Filter Screen	VM18/233	002-606
13.	E-Ring	VM20/369	002-083
14.	Gasket, Float Bowl	VM30-257	002-607
15.	Jet Needle	J8-6DJ30	002-340
16.	Needle Jet	#261 Series, O-8	003-536
17.	Main Jet Extender	697-05001A	002-608
18.	Main Jet	N100.604	Pg.137
19.	Screw	C6=0307	002-609
20.	Float Assembly	VM26/260	002-501
21.	Float Chamber Body	VM29/20-100	_____
22.	Hose, Air Vent	888-360003A	002-611
23.	Fuel Nipple	792-20008	002-612
24.	Washer	VM28/268	_____
25.	E-Ring	BN38/135	002-614
26.	Screw with Lock Washer	CW2=0416-B	002-615
27.	Fuel Nipple	792-20007	_____
28.	O-Ring	BV30/40	002-617
29.	Throttle Valve 1.5	832-39003-1.5	002-198A
	Throttle Valve 2.0	832-39003-2.0	002-198
	Throttle Valve 2.5	832-39003-2.5	002-198B
30.	Bushing Collar	VM33/60	_____
31.	Bracket Assembly	VM33/71	002-619
32.	Screw with Lock Washer	CW2=0305	002-527
33.	Gasket, Top Cover	VM33/32	002-620
34.	Adjuster Nut	N138.050	002-621
35.	Adjuster Screw	VM33/21	_____
36.	Screw	730-06005	002-623
37.	Lever Assembly	VM33/64	002-624
38.	Top Cover	776-39001	002-625
39.	Lock Washer	W4-04-0	002-626
40.	Bracket Plate, Front	W33/75	002-627
41.	Screw	C2-0512-B	002-628
42.	Washer (Polyester)	B401/10	002-629
43.	Plate, Connecting	VM33/45	002-630
44.	Spring	VM33/49	002-631
45.	Washer	M10/56	002-632
46.	E-Ring (Clip)	BSW28/70	002-355
47.	Collar Pipe	813-28001	002-633
48.	Shaft	700-17003A	002-634
49.	Lever Assembly	VM33/52A	002-635
50.	Screw	VM33/73	002-636
51.	Screw	C5=0510	_____

VM33 Smoothbore Replacement Parts (cont.)

No.	Description	Mikuni No.	Order No.
52.	Bolt	VM28/230	002-519
53.	Lever Assembly	VM33/26	002-638
54.	Name Plate	VM33/78	_____
55.	Collar	VM33/68A	002-639
56.	Seal, Felt	VM28/403	002-640
57.	Screw with Lock Washer	CW2=0416B	002-615
58.	Hose, Air Vent	N149.030	002-641
59.	Screw	N138.186	002-642
60.	Bracket Plate, Rear	VM33/67	002-643
61.	Bell Crank Assembly	VM33/38	002-644
62.	Spring	VM33/35	002-645
63.	Vacuum Cap	N148.013	002-646
64.	Throttle Return	VM33/349	002-647
65.	Screw	C2-0508-B	002-648
66.	Adjuster Plate	VM33/34	002-649
67.	Bracket	VM33/23	002-650
68.	Choke Shaft Plate	VM33/58	_____
69.	Screw	C2-408-B	002-652
70.	Screw	VM33/63	002-653
71.	Pilot Jet	VM22/210	Pg.135
72.	Adjuster Screw	N138.049A	002-654
73.	Spring	N110.209	002-655
74.	Washer	N141.217	_____
75.	Main Bracket	VM33/43	_____
76.	Adjuster Screw	603-25001A	_____
77.	Screw	N158.052	002-659
78.	Lever	VM26/435	002-660
79.	Cap Side	VM33/70	002-661
80.	Fuel Cap	VM33/72	002-662
81.	Ring	VM24/532	_____
82.	Washer	VM28/449	002-664
83.	Spring	VM28/293	002-665
84.	Screw	VM28/269	_____
85.	Choke Shaft Assembly	VM33/56A	_____
86.	Screw	C2-0306-B	002-668
87.	Side Plate	VM33/59	002-669
88.	Starter Plunger	VM24/510	002-670
89.	Plunger Spring	VM16/42A	002-671
90.	O-Ring	VM18/249	002-672
91.	E-Ring	KP/13	002-673
92.	Ring	VM28/450	_____
93.	Rubber Cap	VM20/455	002-084
94.	Guide Holder	VM38/359	_____
95.	Spring	M12F/46A	002-181
96.	O-Ring	M14/75	002-676
97.	Air Screw	VM26/287	002-677
98.	O-Ring	OS/05B	_____
99.	Lock Washer	W4-05	002-679
100.	Washer	BV23/196	002-680
101.	Bearing	VM33/61	002-681
102.	Seal, Felt	VM33/61	_____
103.	Washer	946-17001	002-683
105.	Air Jet	BS30/7	Pg.136
106.	Restrictor	VM33/82	002-684

Needle Valve Assembly (No. 10 exploded view)

Size	Mikuni No.	Order No.
2.5	N122.032-2.5	002-503
2.8	N122.032-2.8	002-504

Throttle Valves (No. 29 exploded view)

Cutaway	Mikuni No.	Order No.
1.5	832-39003	003-198A
2.0	832-39003	003-198
2.5	832-39003	003-198B



Easy Kits for Sportsters, Big Twin & Twin

These kits are designed to work with your original Harley-Davidson® intake manifold, choke cable, air cleaner and throttle cables. You can run other high performance air filters designed for the CV type carb by using the special adapter included in kit. Dramatically improves the performance and delivers unmatched throttle response and acceleration.

Harley-Davidson®

1340 Big Twin Evolution (1990-1999) with stock CV Type Manifold
Order No. 001-602
Mikuni No. 42-7. Kit includes HSR42mm carburetor, airbox adapter and chrome cover.

Twin Cam (1999 to present), Big Twin (1990-1999)
Order No. 001-621

Mikuni No. 42-18. Kit includes HSR42mm carburetor and airbox adapter. Twin Cam model use stock oval cover. Works with Screamin Eagle air filter.

Sportster 1200 (1994-2004)
Order No. 001-605

Mikuni No. 42-10. Kit includes HSR42mm carburetor with special airbox back plate. Requires the use of the stock oval cover and a Screamin Eagle high flow replacement air filter.

Sportster 1200 (1994-2006), Buell models
Order No. 001-606

Mikuni No. 42-11. Must use with aftermarket performance air filter.



Total Kits for Big Twin Evolution & Twin

These kits include an HSR42 or HSR45 carburetor, performance manifold, rubber flange, high flow air filter, chrome cover, chrome breather kit and mounting hardware.

Total Kits allow fitment of a HSR42 or HSR45mm carburetor to any Big Twin Evolution or Twin Cam model. Manifold clamps and seals are not included in kit.

Harley-Davidson®

Twin Cam 88/95 (1999 to present) **Order No. 001-622**
Mikuni No. 42-19. Includes Breather Kit #KHS-030 for Twin Cams.
Note: Use your stock throttle cables.

Twin Cam 88/95 (1999 to present) **Order No. 001-630**
Mikuni No. 45-4. Includes Breather Kit #KHS-030 which utilizes MAP location.

Note: Uses stock CV type throttle cables.

1340 Big Twin Evolution (1984-1999) **Order No. 001-603**
Mikuni No. 42-8. Includes Breather Kit #KHS-020 for 1993 and later models.

Note: 1984 to 1989 models require throttle cables from 1990 to 1995 model bikes.

Do not use on 1984-1988 FLT models. Gas Tank may hit carburetor.

1340 Big Twin Evolution (1984-1999) **Order No. 001-610**
Mikuni No. 45-2. Includes breather kit #KHS-020.

Note: 1984 to 1989 models require throttle cables from 1990 to 1995 model bikes.

Do not use on 1984-1988 FLT models. Gas Tank may hit carburetor.

1340 Big Twin Evolution (1984-1999) **Order No. 001-611**
Mikuni No. 45-3. Includes breather kit #KHS-020 and a 45mm flange. Intake Manifold not included in kit. **Note:** 1984 to 1989 models require throttle cables from 1990 to 1995 model bikes.

Do not use on 1984-1988 FLT models. Gas Tank may hit carburetor.

Race Kit 48mm for Big Motors

These kits are designed for the serious race engine builder and extreme street motor enthusiast looking for more power. Recommended for 1200cc engines or bigger with high flow cylinder heads and performance cams.

HSR48 Race Kit 48-2 **Order No. 001-635**

Includes 48mm smoothbore carb, rubber mounting flange (78mm bolt hole centers), choke cable and main jets. Uses stock Harley Big Twin CV type throttle cables.

Note: Manifold, air filter or velocity stack not included.

HSR48 Race Kit 48-2P **Order No. 001-560**

Includes 48mm polished smoothbore carb, rubber mounting flange (78mm bolt hole centers), choke cable and main jets.

Note: Manifold, air filter or velocity stack not included.



Carburetor Kits not designated as C.A.R.B. exempt are not legal for motor vehicles operated on public highways in the state of Ca., or in other states and countries where similar anti-pollution laws may apply.

Exhaust
Chemicals
Intake
Control
Suspension
Engine
Electrical
Vintage
Tools
Watercraft



Mikuni Individual HSR Carburetors

For the performance engine builder needing the carburetor only for specific custom applications. Available in standard aluminum finish or polished version.

Description	Mikuni No.	Order No.
42mm Carb only, standard finish	TM42-6	001-549
42mm Carb only, polished finish	TM42-6PK	001-551
45mm Carb only, standard finish	TM45-2K	001-554
45mm Carb only, polished finish	TM45-2PK	001-555
48mm Carb only, standard finish	TM48-1	001-558
48mm Carb only, polished finish	TM48-1PK	001-559

Note: 001-549 - use stock choke cable from H-D CVK type carb.



Needle Valve Assemblies Sold each.

Size	Description	Mikuni No.	Order No.
(2.3)	Fuel Pump	786-27001	007-478
(3.5)	Offroad	786-27001	007-477
(4.2)	Std on HSR42/45	786-27001	007-476
(4.5)	Std on HSR48	786-27002-1A-4.5	007-708
	O-ring for Needle Valve Seat	616-33003	007-470



Accelerator Pump Nozzles Sold each.

Description	Mikuni No.	Order No.
Standard	TM42/11-70	007-487
Leaner	TM42/11-60	007-486
Leanest	TM42/11-50	007-485

HSR42 Dealer Jet Assortment Kit

This jet assortment kit contains 44 pieces in a special jet box. Included are qt 2 each #150 thru #170 main jets, qt 2 each #20 thru #32.5 pilot jets, qt1 each #96, #97 and #98 needles, qt2 each #60 a/p nozzles, needle clips and washers. Sold as a kit.

Description	Mikuni No.	Order No.
44 Pc. Jet Kit Assortment with storage box	KHS-025	002-983



HSR42/45/48 Carburetor Rebuild Kits

Kits contain all the necessary parts and gaskets to rebuild an HSR carburetor. Includes needle valve assembly, o-rings, gaskets and screws. Sold as a kit.

Description	Mikuni No.	Order No.
HSR42/45mm Carburetor Rebuild kit	KHS-016	002-989
HSR48mm Carburetor Rebuild kit	KHS-031	002-982

Qt	Contents
1	Gasket, Top Cover
1	E-Ring, Jet Needle
1	Washer, Jet Needle
1	O-Ring, Pilot Air
2	O-Ring, Fuel Joint
1	O-Ring, A/P
1	O-Ring, Needle Valve
1	Screw, N.V. Retainer
1	Needle Valve Assy #4.2 (HSR42/45)
1	Needle Valve Assy #4.5 (HSR48)
1	Packing, Float Bowl
1	Hose, Overflow
1	O-Ring, Drain Plug
4	Screw, Float Bowl (short)
1	Boot, A/P Rod



Intake Performance Manifolds

Description	Mikuni Part Number	Order No.
Intake Manifold for HSR42/45 Evo Style without hole.	HS42/061-45	007-459
Intake Manifold for HSR42/45 Twin Cam Style with MAPS hole.	HS42/061-45TC	007-457

K&N Air Filters & Chrome Covers

Description	Mikuni No.	Order No.
K&N Air Filter for HSR 2.5" thick Standard in HSR kits, washable	HS42/012	007-463
K&N Air Filter for HSR 3.0" thick Extra Wide, High-Performance, washable	HS42/012-300	007-466
Chrome Air Filter Cover, no cut-outs	HS42/060	007-464
Chrome Air Filter Cover, OEM with cut-outs	HS42/059	007-462



Rubber Mounting Flanges w/Clamp

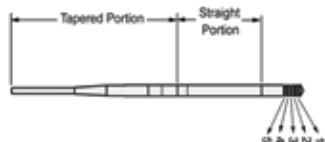
Application	Mikuni No.	Order No.
H-D® HSR42 to 2 bolt flange	HS42/018-42K	007-460
H-D® HSR45 to 2 bolt flange	HS42/018-45K	007-461
H-D® HSR48 to 2 bolt flange	HS42/062-48K	007-467

Air Box Adapter Kit

Kit includes air box adapter, qt 3 screws and o-ring.
Mikuni part number HS42-001K **Order No. 007-455**

Individual Replacement Parts - Sold each.

Description	Mikuni Part Number	Order No.
Air Box Adapter	HS42/001	007-450
Adapter Screw	HS42/002	007-453
O-Ring Seal for Air Box Adapter	HS42/003	007-454



Jet Needles

Sold each. See page 125-128 for Jet Needle details.
No. 7 in exploded view on page 100-Old Style, page 102-New Style

Jet Needle No.	Needle Diameter before Taper (mm)	Air/Fuel Ratio	Order No.
#8DDY01-98	2.98	Leaner	007-083
#8DDY01-97	2.97	↑	007-082
#8DDY01-96 (Std)	2.96	↓	007-081
#8DDY01-95	2.95	Richer	007-080

Applications: HSR45	Needle Diameter before Taper (mm)	Air/Fuel Ratio	Order No.
#8CFY02-98	2.98	Leaner	007-103
#8CFY02-97	2.97	↑	007-102
#8CFY02-96 (Std)	2.96	↓	007-101
#38CFY02-95	2.95	Richer	007-100

Applications: HSR48	Needle Diameter before Taper (mm)	Air/Fuel Ratio	Order No.
#8CFY15-98	2.98	Leaner	007-098
#8CFY15-97 (Std)	2.97	↑	007-097
#8CFY15-96	2.96	↓	007-096
#8CFY15-95	2.95	Richer	007-095



Air Filter Mounting Bracket

Mikuni No.	Order No.
HS42/019	007-465

Short Idle Screw (Optional)

No.55A in old style HSR parts list on page 100 and No. 59A in New Style HSR parts list on page 102.. Optional shorter length for all HSR42/45/48. Sold each.

Mikuni No.	Order No.
990-605-065	007-484

Note: Do not modify the idle screw or any of its component pieces. If the screw is removed, be sure to re-install with the components in place as shown in the exploded view on page 99 and page 102.



HSR Chrome Carb Top (NEW)

Top cover with HSR logo and gasket. For HSR42 and HSR45 Carburetors. Sold each.

Mikuni No.
KHS-029

Order No.
002-991



HSR Easy Tool Kit (NEW)

The Easy Tool Kit includes an Easy Wrench with 17mm x 11/16" open end wrench, Mini-T Jet Wrench with Phillips & Flat head blades and a 2.5mm Ball End Allen bit with 6mm hex.

Mikuni No. KHS-033. **Order No.** 002-046



Choke Cable

Fits all style HSR42/45/48. Sold each.

Mikuni No.
990-662-002

Order No.
007-208



Crankcase Head-Breather Kit

To mount the HSR42/45 carb and filter to EVO Big Twins and Twin Cam.

Mikuni No. KHS20. **Order No.** 002-984

Fits EVO Big Twins, 1991 to present Sportsters and 1993 to present 1340's. Includes chrome banjo's, vent bolts and brackets.

Mikuni No. KHS30. **Order No.** 002-981

1999 to present Twin Cam 88/95. Includes chrome banjo's, vent bolts



Throttle Cables

Sold each.

HSR42/45 from 1994 to 1999 required Mikuni throttle cables. HSR42 carbs made after May 1999, and HSR45 made after March 2000 use stock Harley-Davidson® cables.

Note: Open = Throttle, Close = Idle.

Fitment: 1970 to 1995 Screw in Type for Early HSR42/45

Description	Notes	Mikuni No.	Order No.
Open (Pull) Cable	Standard (38")	HS42/028A	007-451
Close (Push) Cable	Standard (38")	HS42/029A	007-452
Open (Pull) Cable	Dresser (47")	KHS/039	007-550
Close (Push) Cable	Dresser (47")	KHS/040	007-551

Fitment: 1996 to Present Push in Type

Open (Pull) Cable	Standard (38")	KHS/043	007-554
Close (Push) Cable	Standard (38")	KHS/044	007-555
Open (Pull) Cable	Dresser (47")	KHS/041	007-552
Close (Push) Cable	Dresser (47")	KHS/042	007-553

Fitment: Buell, Early Style HSR42/45

Push/Pull Cable Set	Early Style HSR		021-934
Open (Pull) Cable	Early Style HSR	01-0669	021-934A
Open (Push) Cable	Early Style HSR	01-0670	021-934B

Fitment: Buell Late Style 1999

Push/Pull Cable Set	Late Style HSR	01-0714	021-937
---------------------	----------------	---------	---------

Exhaust

Chemicals

Intake

Control

Suspension

Engine

Electrical

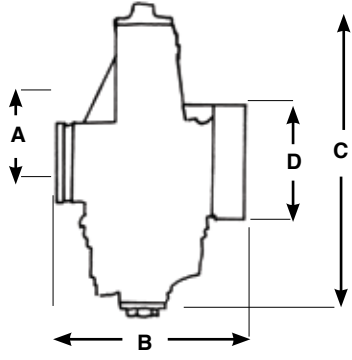
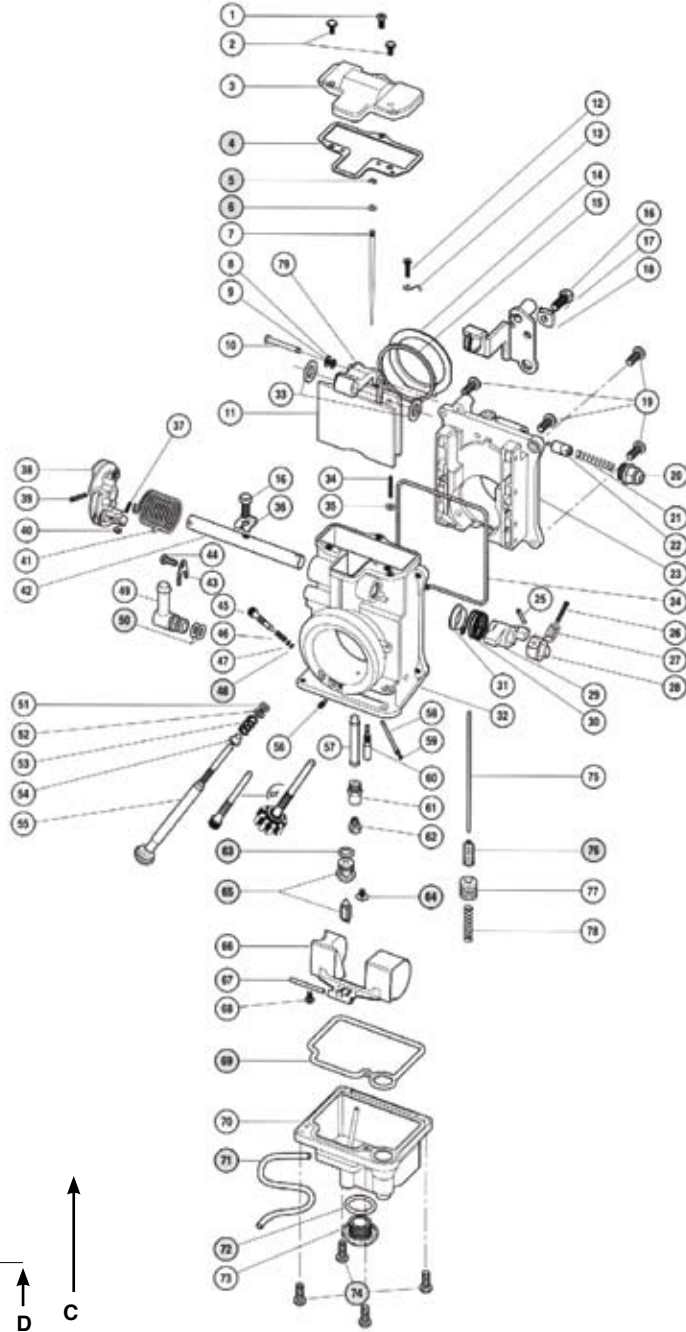
Vintage

Tools

Watercraft



Exhaust
Chemicals
Intake
Control
Suspension
Engine
Electrical
Vintage
Tools
Watercraft



Float Height
All sizes **18mm**



18A. Cable Bracket. Lower Bracket, lowers cable position, use with larger fuel tanks.

Carburetor Dimensions

Size (mm)	A	B	C	D
HSR42	46	90	170	65
HSR45	49	90	170	65

Not LEGAL for sale or use in California on pollution controlled motor vehicles, or in other states where similar laws may apply.

HSR42/45 Old Style Replacement Parts

• Lined through part numbers are no longer available.

Mikuni Part No. Highlighted in **BOLD RED** are included in rebuild kit.

No.	Description	Mikuni No.	Order No.
1.	Screw, Top Cover 4x10mm	C5=410-B	007-624
2.	Screw, Top Cover 4x14mm (qt2)	CW2=0414-B	002-522
3.	Top Cover	776-39005	007-741
4.	Gasket, Top Cover	TM42/04	007-480
5.	E-Ring, Jet Needle	BS32/126	002-455
6.	Washer, Jet Needle	826-03002	007-267
7.	Jet Needle (HSR42) Std.	J8-8DDY01-96	007-081
	Jet Needle (HSR45) Std.	J8-8CFY02-96	007-101
8.	E-Ring	B401/56	007-616
9.	Packing, Link Lever	B401/10	002-629
10.	Pin, Link Lever	834-23041	007-743
11.	Throttle Valve 3.0	TM42/08-3.0	007-432
12.	Screw, Needle Retainer	739-13001	007-123
13.	Clip, Needle Retainer	TM42/16	007-671
14.	Sealing Ring, Throttle Valve	TM42/13	007-723
15.	Seal, Throttle Valve	TM42/10	007-670
16.	Bolt	TM40/89	007-669
17.	Plate, Lock Tab	TM42/38	007-675
18.	Bracket, Cable (Standard)	TM42/34	007-740
	Used on Old Style HSR42/45 manufactured before 2000. Throttle Linkage is on left side.		
18A.	Bracket, Cable (Lower Position)	TM42/34A	007-294
	(Lower Bracket, lowers cable position, use with larger fuel tanks)		
19.	Screw	C2=0514-B	007-698
20.	Starter Nut, Choke	640-12001	007-161
21.	Spring, Starter Plunger	VM14/241	007-678
22.	Starter Plunger	N189.192	007-635
23.	Mixing Body (HSR42/45)	TM42/06	_____
	Mixing Body (HSR48)	TM48/02	_____
24.	Seal, Spigot Body	616-94029	007-473
25.	Pin, A/P Throttle Lever	BN38/43	007-617
26.	Screw, A/P	MC-0316-B	007-193
27.	Spring, A/P	M12F/46-BB	007-629
28.	Lever, A/P	TM42/28	_____
29.	Lever, A/P	TM42/21	007-721
30.	Spring, A/P	TM42/37	_____
31.	Ring	E204.040	007-628
32.	Mixing Body Assembly	TM42SS1/01-0	_____
33.	Packing, Shaft	BS36/95	007-615
34.	Adjusting Screw, A/P	TM42/36	007-701
35.	O-Ring, A/P Screw	B30/205	007-188
36.	Shaft Lock, Tab	TM42/17	007-703
37.	Screw, Throttle Stop	B30/1069	_____
38.	Lever Assembly, Throttle	TM42/20	007-673
39.	Pin, Throttle Lever	N138.019	007-171
40.	Nut, Throttle Stop Screw	N3=4	007-637
41.	Spring, Throttle Return	TM42/19	007-672
42.	Shaft, Throttle	700-15011	_____
43.	Plate, Fuel Joint Retainer	TM42/15	007-704
44.	Screw	C2=0410-B	007-705
45.	Screw, Pilot Air Adjusting (Std)	604-26014	007-706
46.	Spring, Pilot Air Adjusting	N133.206	007-137
47.	Washer, Pilot Air Adjusting	VM12/205	007-482
48.	O-Ring, Pilot Air Adjusting	VN133.037	002-858
49.	Fuel Joint	TM40/27	007-667
50.	O-Ring, Fuel Joint	KV10	002-709
51.	Packing, Idle Adjuster	B30/398	007-614
52.	Washer, Idle Adjuster (Steel)	VM22/138	007-680
53.	Spring, Idle Adjuster	730-09018	007-603
54.	Ring, Idle Adjuster (Brass)	925-15001	007-612
55.	Idle Adjuster Assembly (Long)	TM42/32	007-674
55A.	Idle Adjuster Screw (Short)	999-606-006	007-484
56.	Air Jet (Blank)	BS30/97-00	002-149
57.	Needle Jet #723 Series	784-430000-Y-6	Pg.129
58.	Nozzle, Accelerator Pump Std.	TM42/11-70	007-487
59.	O-Ring, A/P	N124.063	007-163

Note: Old Style HSR42/45 were manufactured before year 2000.

Throttle linkage is on left.

HSR42/45 Old Style Replacement Parts (cont.)

No.	Description	Mikuni No.	Order No.
60.	Pilot Jet #30 (Std.)	VM28/486	004-034
	Pilot Jet - Optional Sizes	VM28/486	Pg.135
61.	Extender, Main Jet	TM42/12	007-722
62.	Main Jet #160 (Std.)	N100.604	004-204
	Main Jet - Optional Sizes	N100.604	Pg.137
63.	O-Ring, Needle Valve Seat	616-33003	007-470
64.	Screw, Needle Valve Retainer	VM13/216	007-174
65.	Needle Valve Assembly w/O-Ring	786-27001-4.2	007-476
66.	Float Assembly	859-32027	007-497
67.	Pin, Float	BV26/22	002-107
68.	Screw, Float Pin	C2=0410	007-620
69.	Packing, Float Bowl	616-94028	007-472
70.	Float, Chamber Body	TM42/05	007-500
71.	Hose, Overflow	N122.028	007-630
72.	O-Ring, Drain Plug	VM28/254	002-531
73.	Drain Plug	TM32/41	007-646
74.	Screw, Float Bowl	C2=0412-B	007-201
75.	Rod, A/P	TM36/44-1A	007-191
76.	Boot, A/P	TM36/64	007-195
77.	Plunger, A/P	TM36/60	007-198
78.	Spring, A/P	VM14SC13/89	007-200
79.	Lever, T.V.	TM42/03	007-742



HSR42/45 Carburetor Rebuild Kit

Kit contains GENUINE Mikuni parts, all the necessary parts and gaskets to rebuild an HSR carburetor. Includes needle valve assembly, o-rings, gaskets and screws. Sold as a kit.

Mikuni No. KHS-016. Order No. 002-989

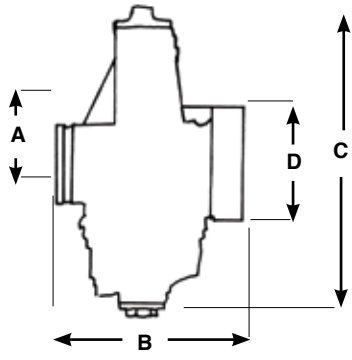
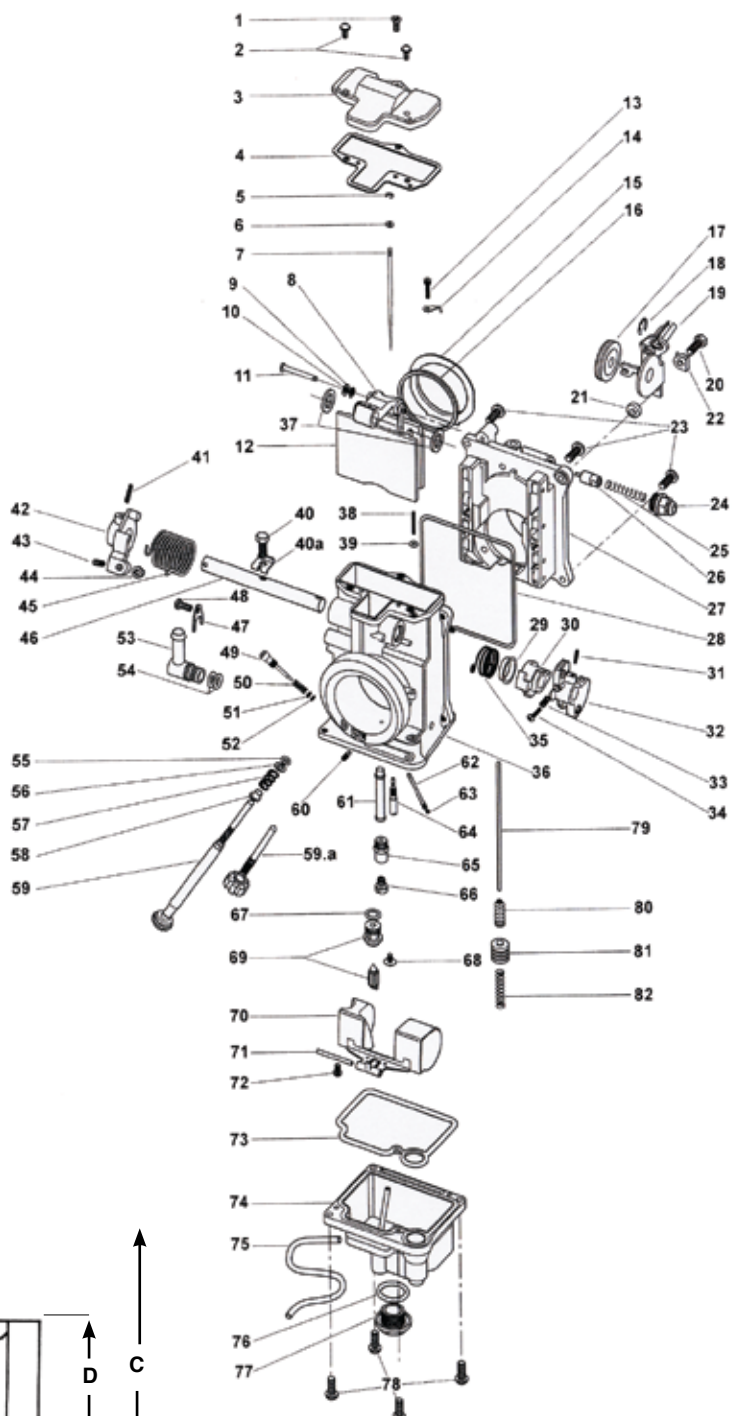
Exploded

View No.	Qt	Contents
4	1	Gasket, Top Cover
5	1	E-Ring, Jet Needle
6	1	Washer, Jet Needle
48	1	O-Ring, Pilot Air
50	2	O-Ring, Fuel Joint
59	1	O-Ring, A/P
63	1	O-Ring, Needle Valve
64	1	Screw, N.V. Retainer
65	1	Needle Valve Assy
69	1	Packing, Float Bowl
71	1	Hose, Overflow
72	1	O-Ring, Drain Plug
74	4	Screw, Float Bowl (short)
76	1	Boot, A/P Rod

Mikuni HSR42/45/48 New Style Exploded View



Exhaust
Chemicals
Intake
Control
Suspension
Engine
Electrical
Vintage
Tools
Watercraft



Float Height
All sizes 18mm

Carburetor Dimensions

Size (mm)	A	B	C	D
HSR42	46	90	170	65
HSR45	49	90	170	65
HSR48	53	90	178	65

IMPORTANT: Mikuni HSR Carburetors are legal in California only for RACING vehicles which may never be used upon a public street or highway. In other locations check for similar laws which may apply.

HSR42/45/48 New Style Replacement Parts

• Lined through part numbers are no longer available.

Mikuni Part No. Highlighted in **BOLD RED** are included in rebuild kit.

No.	Description	Mikuni No.	Order No.
1.	Screw, Top Cover 4x10mm	C5=410-B	007-624
2.	Screw, Top Cover 4x16mm (qt2)	CW2=0416-B	002-615
3.	Top Cover (HSR42/45)	776-39005	007-741
3A.	Top Cover (HSR48)	HS42/081	007-691
4.	Gasket, Top Cover	TM42/04	007-480
5.	E-Ring, Jet Needle	BS32/126	002-455
6.	Washer, Jet Needle Clip	826-03002	007-267
7.	Jet Needle (HSR42) Std.	J8-8DDY01-96	007-081
	Jet Needle (HSR45) Std.	J8-8CFY02-96	007-101
	Jet Needle (HSR48) Std.	J8-8CFY15-97	007-097
8.	Lever, Throttle Valve (HSR42/45)	TM42/03	007-742
8A.	Lever, Throttle Valve (HSR48)	TM42/08-1A	_____
9.	E-Ring, Link Lever	B401/56	007-616
10.	Packing, Link Lever	B401/10	002-629
11.	Pin, Link Lever	834-23041	007-743
12.	Throttle Valve (Slide)	TM42/08-3.0	007-432
13.	Screw, Needle Retainer	739-13002	007-692
14.	Clip, Needle Retainer	TM42/16	007-671
15.	Sealing Ring, T.V. (HSR42/45)	TM42/16	007-723
15A.	Sealing Ring, T.V. (HSR45)	TM48/04	_____
16.	Seal, Throttle Valve	TM42/10	007-670
17.	Pulley, Cable Bracket	925-98006	007-693
18.	E-Ring, Cable Bracket	T53974	007-694
19.	Bracket Assy., Cable	TM42/51	007-695
19A.	Bracket Assy., Sportster/Buell	TM42/53	007-724
20.	Bolt, Bracket	B3=0520-B	007-696
21.	Spacer, Bracket	VM28/204	007-697
22.	Plate, Lock Tab	TM42/38	007-675
23.	Screw	C2=0514-B	007-698
24.	Guide Holder (Starter)	640-12001	007-161
25.	Spring, Starter Plunger	VM14/241	007-678
26.	Starter Plunger	N189.192	007-635
27.	Body (HSR42/45)	TM42/06	_____
27A.	Body (HSR45)	TM48/02	_____
28.	Seal, Spigot Body	616-94029	007-473
29.	Ring (Steel)	925-19011	_____
30.	Lever, A/P	TM42/43	007-699
31.	Pin, Throttle Lever	N138.019	007-171
32.	Lever, Throttle	TM42/48	007-700
33.	Spring, Accelerator Pump	M12F/46-BB	007-629
34.	Screw, Accelerator Adjust	MC-0316-B	007-193
35.	Spring, Accelerator Pump	TM42/47	007-744
36.	Mixing Body (HSR42/45)	TM48SS1/01-0	_____
36A.	Mixing Body (HSR48)	TM48SS1/01	_____
37.	Packing, Shaft (Plastic)	BS36-95	007-615
38.	Adjusting Screw, A/P	TM42/36	007-701
39.	O-Ring, A/P Screw	B30/205	007-188
40.	Bolt	TM40/89	007-669
40A.	Plate, Lock Tab for Shaft	TM42/17	007-703
41.	Pin, Return Lever	BN38/43	007-617
42.	Lever, Return	TM42/46	007-745
43.	Screw, Throttle Stop	B30/1069	007-746
44.	Nut, Throttle Stop	N3=04	007-637
45.	Spring, Throttle Return	TM42/19	007-672
46.	Shaft, Throttle	700-15012	_____
47.	Plate, Fuel Joint Retainer	TM42/15	007-704
48.	Screw, Fuel Joint Retainer	C2=0410-B	007-705
49.	Screw, Pilot Air Adjusting	604-20614	007-706
50.	Spring, Pilot Air Screw	N133.206	007-137
51.	Washer, Pilot Air Screw	VM12/205	007-482
52.	O-Ring, Pilot Air Screw	N133.037	002-858
53.	Fuel Joint	TM40/27	007-667
54.	O-Ring, Fuel Joint	KV/10	002-709
55.	Packing, Idle Adjuster	B30/398	007-614
56.	Washer, Idle Adjuster (steel)	VM22/138	007-680
57.	Spring, Idle Adjuster	730-09018	007-603
58.	Ring, Idle Adjuster	925-15001	007-612
59.	Idle Adjuster Screw (Long)	TM42/32	007-674

HSR42/45/48 New Style Replacement Parts (cont.)

No.	Description	Mikuni No.	Order No.
59A.	Idle Adjuster Screw (Short)	990-605-065	007-484
60.	Air Jet (Blank)	BS30/97	002-149
61.	Needle Jet, #723 Series	784-430000	Pg.129
62.	Nozzle, Accelerator Pump Std.	TM42/11-70	007-487
	Nozzle, Accelerator Pump Optional sizes		Pg.96
63.	O-Ring, A/P Nozzle	VN124.063	007-163
64.	Pilot Jet	VM28/486	Pg.135
65.	Extender, Main Jet (HSR42/45)	TM42/12	007-722
65A.	Extender, Main Jet (HSR48)	TM42/12-1A	007-707
66.	Main Jet# 160 (HSR42)	N100.604-160	004-204
	Main Jet #175 (HSR45)	N100.604-175	004-210
	Main Jet #190 (HSR48)	N100.604-190	004-216
	Main Jet *Optional Sizes	N100.604	Pg.137
67.	O-Ring, Needle Valve	616-33003	007-470
68.	Screw, Needle Valve Retainer	VM13/216	007-174
69.	Needle Valve Assembly (HSR42/45)	786-27001-4.2	007-476
69A.	Needle Valve Assembly (HSR48)	786-27002-1A-4.5	007-708
70.	Float Assembly	859-32027	007-497
71.	Pin, Float	BV26/22	002-107
72.	Screw, Float Pin	C2=0410	007-620
73.	Packing, Float Bowl	616-94028	007-472
74.	Float, Chamber Body	TM42/05	007-500
75.	Hose, Overflow	N122.028	007-630
76.	O-Ring, Drain Plug	VM28/254	002-531
77.	Drain Plug (HSR42/45)	TM32/41	007-646
77A.	Drain Plug (HSR48)	TM32/41-1D	007-713
78.	Screw, Float Bowl	C2=0412-B	007-201
79.	Rod, A/P	TM36/44-1A	007-191
80.	Boot, A/P Rod	TM36/64	007-195
81.	Plunger, A/P	TM36/60	007-198
82.	Spring, A/P	VM14SC13/89	007-200
83.	Rubber Cap, Purge Port (not shown)	N198.063	007-716



HSR42/45/48 Carburetor Rebuild Kits

Kit contains GENUINE Mikuni parts, all the necessary parts and gaskets to rebuild an HSR carburetor. Includes needle valve assembly, o-rings, gaskets and screws. Sold as a kit.

Mikuni No.	Description	Order No
KHS-016	with 4.2 Needle Vlv. Assy., HSR42/45	002-989
KHS-031	with 4.5 Needle Vlv Assy., HSR48	002-982

Exploded

View No.	Qt	Contents
4.	1	Gasket, Top Cover
5.	1	E-Ring, Jet Needle
6.	1	Washer, Jet Needle
52.	1	O-Ring, Pilot Air
54.	2	O-Ring, Fuel Joint
63.	1	O-Ring, A/P
67.	1	O-Ring, Needle Valve
68.	1	Screw, N.V. Retainer
69	1	Needle Valve Assy 4.2 (HSR42/45)
69A.	1	Needle Valve Assy 4.5 (HSR48)
73.	1	Packing, Float Bowl
75.	1	Hose, Overflow
76.	1	O-Ring, Drain Plug
78.	4	Screw, Float Bowl (short)
80	1	Boot, A/P Rod



TM24

TM32/TM34

TM38

TM36 Pumper

Mikuni TM Flat Slide Carburetors

Mikuni's original FLAT SLIDE Carburetor. The TM series Carburetors provide significant performance improvements over older round slide Carburetors. Air flows faster and smoother through the TM series venturi due to the flat slide design and the jet blocks which help create smooth bore effect. The high velocity of the air flow means a stronger vacuum at the needle jet providing more precise metering and better throttle response. TM Flat Slide Carburetors are sold pre-jetted, jetting change and throttle valve change. (see listing below) Please specify when ordering.

TM Flat Slide Standard Jetting Specifications

Carburetor	Main Jet	Main Air Jet	Pilot Jet	Pilot Air Jet	Needle Jet	Jet Needle	Throttle Valve & Cutaway	Mikuni No.	Order No.
TM24	4/042 #130	Fixed	VM22/210 #15	_____	454 Series #Q-0	5N13	832-30006 #3.0	TM24-8001	001-017
TM28	4/042 #180	1.8	VM22/210 #15	_____	175 Series #P-8	5DP39	832-33001 #2.5	VM28-418	001-023
TM32	4/042 #250	None	VM22/210 #45	_____	389 Series #Q-2	5FP17	832-39012 #4.0	TM32-1	001-026
TM34	4/042 #280	None	VM22/210 #50	_____	389 Series #Q-2	5FP17	832-39012 #4.0	TM34-2	001-033
TM36	4/042 #280	None	VM22/210 #50	_____	389 Series #Q-2	6FJ40	832-43002A #4.0	TM36-2	001-038
TM38 (*47mm)	4/042 #230	None	VM22/210 #22.5	_____	389 Series #Q-2	6FJ41	832-43011 #4.0	TM38-85	001-060
TM38 (*44mm)	4/042 #230	None	VM22/210 #22.5	_____	389 Series #Q-2	6FJ41	832-43011 #4.0	TM38-86	001-061

*47mm = Spigot O.D. size, *44mm = Spigot O.D. size.

TM Flat Slide with Accelerator Pump Standard Jetting Specifications

TM33	N100.64 #127.5	0.7	VM28/486 #37.5	1.1	640 Series #P-8	5FP96	832-38007 #1.5	TM23-8012	001-032
TM36	N100.64 #130	None	VM28/486 #12.5	1.0	568 Series #P-8	9DZH6-50	TM36/137 #2.0	TM36-68	001-552
TM40 (HS40)	N100.64 #165	Plugged	VM28/486 #17.5	1.1	568 Series #Y-6	9DJY04-96	TM40/81	TM40-6	001-085

TM Flat Slide Float Height

TM24-8001	TM28-418	TM32-1	TM33-8012 Pumper	TM34-2	TM36-2	TM36-68 Pumper	TM38-68	TM40-6 (HS40) Pumper
22 - 24mm	22 - 24mm	17 - 19mm	14mm	17 - 19mm	17 - 19mm	19mm	17 - 19mm	19mm

Special Set TM Flat Slide Carburetors

Use the following part numbers when ordering for special jetting request.

Carburetor	Jetting Change	Throttle Valve Change
TM24	001-170	_____
TM28	001-172	_____
TM32	001-176	_____
TM34	001-178	_____
TM36	001-180	001-181
TM38 with 47mm Spigot O.D.	001-152	001-153
TM38 with 44mm Spigot O.D.	001-154	001-155



TM Flat Slide Carburetors w/Accelerator

Use the following part numbers when ordering for special jetting request.

Carburetor	Jetting Change	Throttle Valve Change
TM33	001-187	_____
TM36	001-185	_____
TM40	001-190	_____

Power Jet Kit

The Power Jet Kit is used on 2-stroke engine applications to improve mid-range throttle response and add additional fuel to wide open throttle running conditions. Easily installs on TM series Carburetors. (#80, #100 and #120 sized jets included)
Sold as a kit. Order No. 002-041



Mikuni TM Pro-Series Flat Slide Carburetors

The TM Pro-Series Carburetors feature proven performance gains with a hand machined venturi area. Testing shows Pro-Series carburetor design will out flow many other factory produced Carburetors by a minimum of 10% or more. This venturi design also provides a higher air speed rate at lower RPM's which results in a much stronger, smoother, wider power band. Sold pre-jetted or to customers jetting request. Please specify when ordering.

Carburetor	Order No.
39mm Pro-Series with 43mm Spigot O.D.	001-194
41mm Pro-Series with 47mm Spigot O.D.	001-196

For replacement parts, use the **TM Flat Slide parts list on page 106.**



Cable Type Starter System Kit

Replaces knob plunger type starter system with a cable type starter system. Sold as a kit. Two Kits available:

Order No. 002-351
Fits the following TM Carburetors: TM32, TM34, TM36, TM38 and 39mm Pro-Series, 41mm Pro-Series
Includes items A - F.

Order No. 002-353
Fits the following TM carburetor: VM28/418 (TM28)
Includes items A - F.

Replacement Parts. Sold each.

Description	Mikuni No.	Order No
A. Starter Plunger Top, Rubber Cap	VM26/46	002-061
B. Cable Adjuster	M21/14	002-062
C. Cable Adjuster Locknut	B30/247	002-065
D. Starter Plunger Fitting	VM15/37	002-093
E. Starter Plunger Spring	VM32/69	002-094
F. Starter Plunger (TM32-TM41)	VM15SC4/85	002-095
Starter Plunger (TM28)	VM15SC4/86	007-751

TM Series Throttle Valves

TM Flat Slide throttle valves. Sold each.
Note: Throttle Valve for **TM36-68** no longer available.

Carburetor	Size	Mikuni No.	Order No.
TM24 (TM24-8001)	3.0	832-30005	002-951
TM28 (VM28-418)	2.5	832-33001	002-804
TM32 (TM32-1)	4.0	832-39012	002-800
TM34 (TM34-2)	4.0	832-39012	002-800

Old Style TM 36, TM38 Carburetor with Top Idle Adjuster Rod

Carburetor	Size	Mikuni No.	Order No.
TM36 (TM 36-2), TM38 (TM38-1), TM38 (TM38-3)	2.5	832-43002	002-734
	3.0	832-43002	002-735
	4.0	832-43002	002-737
	5.0	832-43002	002-739

New Style TM 38 Carburetor, with Side Idle Adjuster Screw

Carburetor	Size	Mikuni No.	Order No.
TM38 (TM38-85), TM38 (TM38-86)	2.5	832-43011	007-401
	3.0	832-43011	007-402
	3.5	832-43011	007-403
	4.0	832-43011	007-404
	5.0	832-43011	007-405

TM33 Pumper (TM33-8012)	1.5	832-38007	002-948
TM40 (HS40) Pumper (TM40-6)		TM40/81	007-430



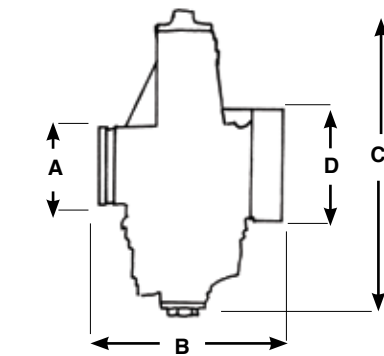
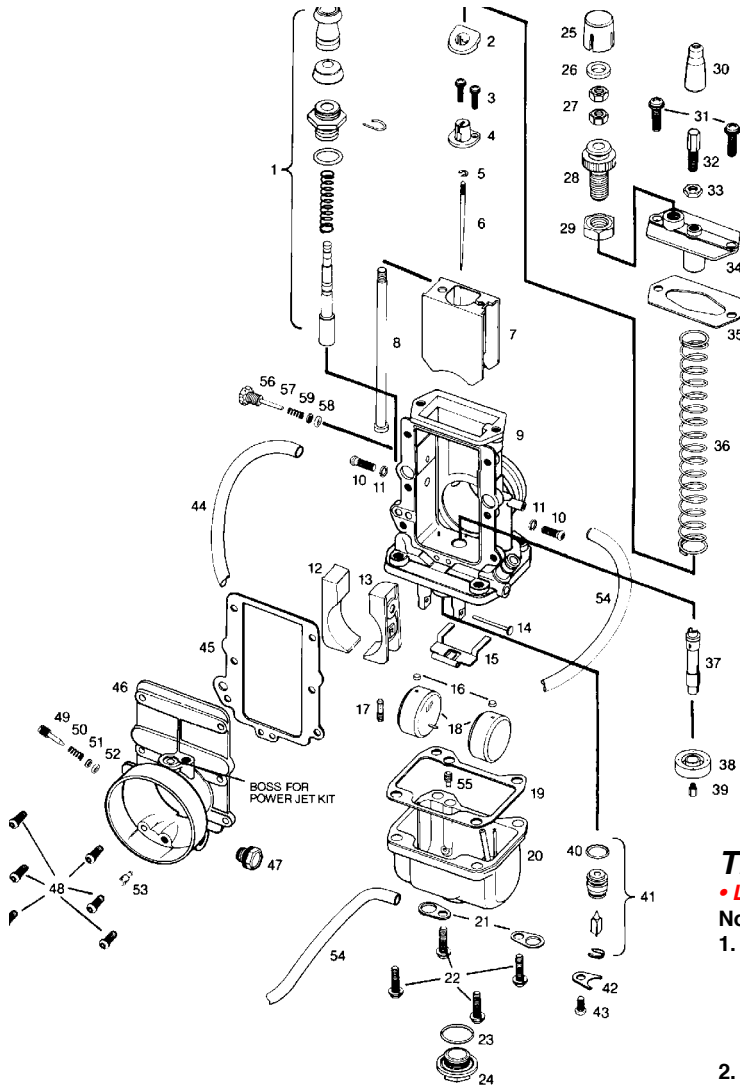
Sudco TM Series Velocity Stacks

These high flow Velocity Stacks from Sudco are designed for racing applications and modified Mikuni TM36, 37, 38 and Pro-Series 39 & 41 Carburetors. Can be used with or without air filters because of the press-fit inside the carb's mouth. Available in 15mm and 50mm lengths. Sold each.

Description	Order No.
15mm Length	005-255
50mm Length	005-257

MIKUNI *TM Series Flat Slide Exploded View*

Note: TM Flat Slide Standard Jetting Specifications, see page 103.



Float Height

See Page 103

Carburetor Dimensions

Size (mm)	A	B	C	D	Total Width
TM24-8001	31	75	145	44	76
VM28-418 (TM28)	33	82	135	44	76
TM32-1	40	83	160	58	78
TM34-2	40	83	160	58	78
TM36-2	43	100	170	62	75
TM38-85	47	100	170	62	75
TM38-86	43	100	170	62	75
TM39 Pro-Series	47	100	170	62	75
TM41 Pro-Series	43	100	170	62	75

TM Replacement Parts

• Lined through part numbers are no longer available.

No.	Description/Application	Mikuni No.	Order No.
1.	Complete Starter System		
	VM28-418 (TM28)	VM26/116	002-815
	TM32-1, TM34-2, TM36-2, TM38-1	VM29/47	002-816
	TM38-3, TM38-85, TM38-86	VM29/47	002-816
	TM39 and TM41 Pro Series	VM29/47	002-816
2.	Nylon Ring		
	TM24-8001	VM24/791A	002-780
	TM36-2, TM38-1, TM38-3,	VM38/153	002-753
	TM38-85, TM38-86, TM39/41 Pro	VM38/153	002-753
3.	Screw with Lock Washer for Cable Connector		
	TM24-8001	CW2=2608	007-265
	VM28-418 (TM28), TM32-1, TM34-2,	CW2=0310	002-752
	TM36-2, TM38-1, TM38-3	CW2=0310	002-752
	TM38-85, TM38-86, TM39/TM41 Pro	CW2=0310	002-752
4.	Cable Connector		
	TM24-8001	VM24/790	002-758
	TM36-2, TM38-85, TM38-86	VM38/152	002-751
	TM39 and TM41 Pro Series	VM38/152	002-751
5.	E-Ring (Needle Clip) All TM Series	VM20/369	002-083
6.	Jet Needles		Pg.128
7.	Throttle Valves		Pg.104
8.	Idle Rod (TM Carburetors with Top Idle Adjustment)		
	TM36-2, TM38-1, TM38-3	VM38/159	002-732
9.	Mixing Chamber Body		
10.	Screw, Jet Block All TM Series	VM38/132	002-742
11.	Washer All TM Series	VM34/274	002-741
12.	Jet Block, Left - TM38-1, TM38-3	VM38/144	002-710
13.	Jet Block, Right - TM38-1, TM38-3	VM38/145	002-711
14.	Float Pin All TM Series	BV26/22	002-107
15.	Float Arm		
	TM32-1, TM34-2, TM36-2,, TM38-1	VM36/15	002-112
	TM38-3, TM38-85, TM38-86	VM36/15	002-112
	TM39 and TM41 Pro Series	VM36/15	002-112

TM Replacement Parts

No.	Description/Application	Mikuni No.	Order No.
16.	Cap, Float Guide Pin VM28-418 (TM28), TM32-1, TM34-2 TM36-2, TM38-1, TM38-3	VM26/42 VM26/42	002-718 002-718
17.	Pilot Jet All TM Series	VM22/210	Pg.135
18.	Float TM24-8001 VM28-418 (TM28) TM32-1, TM34-2, TM36-2, TM38-1 TM38-3 TM38-85, TM38-86, TM39/41 Pro RH TM38-85, TM38-86, TM39/41 Pro LH	VM24/365 VM28/694 VM24/236 VM24/236 859-52020 859-52021	007-255 007-726 002-113 002-113 002-481 002-482
19.	Gasket, Float Chamber TM24-8001 VM28-418 (TM28) TM32-1, TM34-2, TM36-2, TM38-1 TM38-3, TM38-85, TM38-86 TM39 and TM41 Pro Series	VM20/492 VM26/228 VM34/374 VM34/374 VM34/374	007-250 007-251 002-700 002-700 002-700
20.	Float Chamber (Bowl) Assembly TM36-2, TM38-1, TM38-3	TM32/02-100	002-701
21.	Plate, Hose Retaining VM28-418 (TM28) TM32-1, TM34-2, TM36-2, TM38-1 TM38-3, TM38-85, TM38-86 TM39 and TM41 Pro Series	VM28/79A VM28/79A VM28/79A VM28/79A	002-204 002-204 002-204 002-204
22.	Screw with Lock Washer TM24-8001 VM28-418 (TM28) TM32-1, TM34-2, TM36-2, TM38-1, TM38-3 TM38-85, TM38-86, TM39/41 Pro	CW2=0416-B CW2=0416 CW2=0516 CW2=0518 CW2=0518	002-615 002-823 002-373 002-719 002-719
23.	O-Ring VM28-418 (TM28) TM32-1, TM34-2, TM36-2, TM38-1 TM38-3, TM38-85, TM38-86 TM39 and TM41 Pro Series	VM26/227 VM28/254 VM28/254 VM28/254	002-825 002-531 002-531 002-531
24.	Drain Plug VM28-418 (TM28) TM32-1, TM34-2, TM36-2, TM38-1 TM38-3, TM38-85, TM38-86 TM39 and TM41 Pro Series	VM28/817 VM28/253 VM28/253 VM28/253	002-827 002-526 002-526 002-526
25.	Cap, Idle Adjuster TM36-2, TM38-1, TM38-3	VM35/40	002-731
26.	Packing (Rubber) TM36-2, TM38-1, TM38-3	N138.077	002-730
27.	Nut-TM36-2, TM38-1, TM38-3	N2=04	002-729
28.	Idle Adjuster-TM36-2, TM38-1, TM38-3	603-68001	002-728
29.	Nut-TM36-2, TM38-1, TM38-3	BDC36/35	002-727
30.	Rubber Cap		
31.	Screw with Lock Washer All TM Series	CW2=0412	002-748
32.	Cable Adjuster VM28-418 (TM28) TM32-1, TM34-2, TM36-2, TM38-1 TM38-3, TM38-85, TM38-86 TM39 and TM41 Pro Series	M18F/43A VM36/83 VM36/83 VM36/83	002-062 002-724 002-724 002-724
33.	Locknut VM28-418 (TM28) TM32-1, TM34-2, TM36-2, TM38-1 TM38-3, TM38-85, TM38-86 TM39 and TM41 Pro Series	B30/247 B30/247 B30/247 B30/247	002-065 002-065 002-065 002-065
34.	Mixing Chamber, Top TM36-2, TM38-1, TM38-3 TM38-85, TM38-86, TM39/41 Pro	776-19002 776-19001	002-733
35.	Gasket, Top TM24-8001 VM28-418 (TM28) TM32-1, TM34-2, TM36-2, TM38-1, TM38-3 TM38-85, TM38-86, TM39/41 Pro	VM24/785 VM28/1045 VM32-495 VM38-127 VM38-127	007-260 007-830 007-268 007-725 007-725

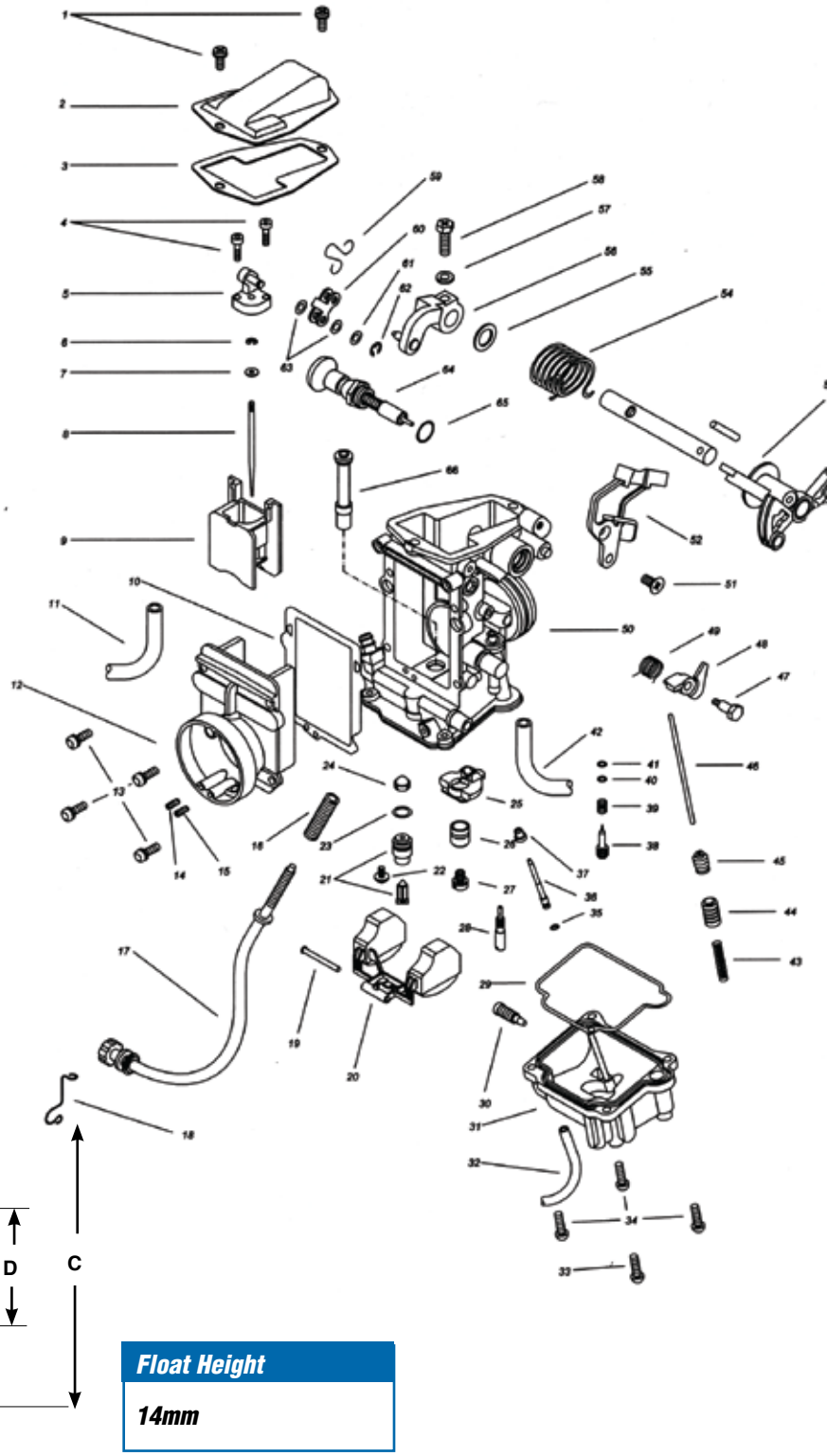
TM Replacement Parts (cont.)

No.	Description/Application	Mikuni No.	Order No.
36.	Spring, Throttle Valve TM24-8001 VM28-418 (TM28) TM32-1, TM34-2 TM36-2, TM38-1, TM38-3, TM38-85, TM38-86, TM39/TM41 Pro	730-11003 730-15021 730-15004 730-16003 730-16003	002-831 002-832 002-833 002-750 002-750
37.	Needle Jet (See page 130 for Optional sizes) TM24-8001 VM28-418 (TM28) TM32-1, TM34-2, TM36-2 TM38-1, TM38-3 TM38-85, TM38-86, TM39/41 Pro	#454 Series Q-0 #175 Series P-8 #389 Series Q-2 #389 Series Q-2 #389 Series Q-2	
38.	Ring, Main Jet TM24-8001 VM28-418 (TM28) TM32-1, TM34-2, TM36-2 TM38-1, TM38-3 TM38-85, TM38-86, TM39/41 Pro	VM28/449 VM28/429 VM34/454 VM34/454 VM34/36	002-664 002-836 002-837 002-837 002-835
39.	Main Jet All TM Series	4/042	Pg.137
40.	O-Ring, Needle Valve All TM Series	KV10	002-709
41.	Needle Valve with KV10 O-Ring (See Page 134 for Optional sizes) TM24-8001 Std VM28-418 (TM28) Std TM32-1, TM34-2, TM36-2 Std TM38-1, TM38-3 Std TM38-85, TM38-86, TM39/41 Pro Std	VM24/557A-1.5 VM24/557A-2.5 786-46001-3.3 786-46001-3.5 786-46001-3.5	002-842 002-840 002-705 002-707 002-707
42.	Plate, Needle Valve All TM Series	VM24/560	002-721
43.	Screw All TM Series	C2=0406	002-722
44.	Vent Hose (Black)		
45.	Gasket, Front Cover TM24-8001, VM28-418 (TM28) TM38-85, TM38-86, TM39/41 Pro	VM28/1044 VM38/126	002-847 002-726
46.	Front Body, Air Intake		
47.	Bolt, (Torx Head) TM38-1, TM38-3	BV15/27	
48.	Screw All TM Series	VM38/133	002-749
49.	Air Screw, Pilot TM24-8001, VM28-418 (TM28) TM32-1, TM34-2, TM36-2, TM38-1 TM38-3, TM38-85, TM38-86 TM39 and TM41 Pro Series	VM20/584 VM24/305 VM24/305 VM24/305	002-850 002-720 002-720 002-720
50.	Spring, Pilot Air Screw All TM Series	M12/46A	002-181
51.	Washer, Pilot Air Screw TM32-1, TM34-2, TM36-2, TM38-1 TM38-3, TM38-85, TM38-86 TM39 and TM41 Pro Series	VM12/33 VM12/33 VM12/33	002-856 002-856 002-856
52.	O-Ring, Pilot Air Screw TM32-1, TM34-2, TM36-2, TM38-1 TM38-3, TM38-85, TM38-86 TM39 and TM41 Pro Series	N133.037 N133.037 N133.037	002-858 002-858 002-858
53.	Main Air Jet	BS30/97	Pg.136
54.	Overflow Hose		
55.	Starter Jet All TM Series	VM17/1002	Pg.136
56.	Idle Stop Screw TM24-8001, VM28-418 (TM28) TM32-1, TM34-2 TM38-85, TM38-86, TM39/41 Pro TM39 and TM41 Pro Series	603-27002 603-16003 603-16003 603-16003	002-860 002-861 002-861 002-861
57.	Spring, Idle Screw TM24-8001, VM28-418 (TM28) TM32-1, TM34-2 TM38-85, TM38-86, TM39/41 Pro	VM15/112 VM24/556 VM24/556	002-863 002-864 002-864
58.	O-Ring, Idle Screw TM24-8001, VM28-418 (TM28) TM32-1, TM34-2 TM38-85, TM38-86, TM39/41 Pro	VM14/75 BV32/04 BV32/04	002-676 002-212 002-212
59.	Washer TM24-8001, VM28-418 (TM28)	VM14/87	002-866

Mikuni TM Series Carburetors are intended for off-road riding and racing use only. Not legal for use in California or other locations where similar pollution laws may apply.

Mikuni TM33-8012 Pumper Carb Exploded View

Exhaust
Chemicals
Intake
Control
Suspension
Engine
Electrical
Vintage
Tools
Watercraft



Carburetor Dimensions

Size (mm)	A	B	C	D	Total Width
TM33-8012	40	93	160	50	105

Mikuni TM Series Carburetors are intended for off-road riding and racing use only. Not legal for use in California or other locations where similar pollution laws may apply.

TM33 Standard Jetting Specifications

Carburetor	Main Jet	Main Air Jet	Pilot Jet	Pilot Air Jet	Needle	Jet Needle	Throttle Valve & Cutaway	Float Height	Mikuni No.	Order No.
TM33	#127.5	0.7	#37.5	1.1	#P-8	#5FP96	832-38007 #1.5	14mm	TM33-8012	001-032

TM33-8012 Pumper Carb Replacement Parts

• Lined through part numbers are no longer available.

No.	Description	Mikuni No.	Order No.
1.	Screw, Top Cover	CW2=0410	007-626
2.	Top Cover	TM29/16A	_____
3.	Gasket, Top Cover	TM29/17	007-643
4.	Screw, Joint Assy.	793-13001	_____
5.	Rubber Cap	TM29/71	_____
6.	E-Ring	VM20/369	002-083
7.	Packing	VM26/315	007-124
8.	Jet Needle	J8-5FP96-3	007-004
9.	Throttle Valve 1.5	832-38007-1.5	002-948
10.	Gasket, Air Funnel	TM29/62	_____
11.	Hose, Vent	VM34/105	_____
12.	Air Funnel	TM33/32A	_____
13.	Screw, Air Funnel	VM38/133	002-749
14.	Pilot Air Jet	BS30/97-1.1	Pg.136
15.	Main Air Jet	BS30/97-0.7	Pg.136
16.	Spring, Idle Adjuster	730-07008	002-602
17.	Idle Adjuster	TM33/38A	007-651
18.	Clip, Idle Adjuster	N189.169C	_____
19.	Pin, Float	VM30/160	002-605
20.	Float Assembly	859-34003	007-606
21.	Needle Valve Assembly	N133.200-1.8	007-502
22.	Screw, N.V. Holder	VM13/216	007-174
23.	O-Ring, N.V. Assembly	KV/10	002-709
24.	Filter, Needle Valve Seat	VM18/233	002-606
25.	Ring, (nylon), Main Jet	TM33/35A	_____
26.	Ring, (brass), Main Jet	VM18/106A	_____
27.	Main Jet #127.5	N100.604	Pg.137
28.	Pilot Jet #37.5	VM28/486	Pg.135
29.	O-Ring, Float Bowl	619-94012	007-508
30.	Drain Screw, Float Bowl	N133.363	007-509
31.	Float Bowl	TM33/77	_____
32.	Hose, Overflow	888-23043-1F	_____
33.	Screw (Long), Float Bowl	C2=0416	007-622
34.	Screw (Short), Float Bowl	C2=0414	007-621
35.	O-Ring, A/Pump Nozzle	N124.063	007-163
36.	Accelerator Pump Nozzle	TM29/24	007-510
37.	Plug, A/Pump Nozzle	TM29/14	007-164
38.	Pilot Screw	N138.192B	007-632
39.	Spring, Pilot Screw	N138.187	007-631
40.	Washer, Pilot Screw	VM12/33	002-856
41.	O-Ring, Pilot Screw	N133.037	002-858
42.	Hose, Vent	888-25029-1E	_____
43.	Spring, A/Pump Plunger	730-04003A	002-867
44.	A/Pump Plunger	TM29/18	007-511
45.	Cap, A/Pump Rod	TM29/18	_____
46.	Rod, A/Pump	TM33/46	_____
47.	Bolt, A/P Lever	B30/397	007-613
48.	Lever, A/P	VM38/212	007-683
49.	Spring, A/P Lever	TM33/47A	_____
50.	Main Body	TM33SS90/01-0	_____
51.	Screw, Throttle Bracket	C5=0510	_____
52.	Bracket, Throttle	TM33/33	007-648
53.	Bell Crank	TM33/44	007-720
54.	Spring, Throttle Return	TM24/21	_____
55.	Packing, Throttle Shaft	B36/95	007-615
56.	Lever, Throttle	VM13/186	_____
57.	Washer, Throttle Lever	W4=05	002-679
58.	Bolt, Throttle Lever	VM28/230	002-519
59.	Spring, Linkage Lever	VM33/4C	002-631
60.	Plate, Linkage Lever	VM33/45	002-630
61.	Washer, Linkage Lever	M10/56	002-632
62.	E-Ring, Linkage Lever	BSW/70	002-355
63.	Packing, Linkage Lever	B401/10	002-629
64.	Choke Assy.	TM33/49	007-654
65.	O-Ring, Choke Assy.	N138.198	007-160
66.	Needle Jet - 640 Series	784-24111-P-8	Pg.130



Needle Valve Assembly

Applications: TM33-8012 Pumper Carburetor and OEM Suzuki DR350 offroad (90-99) with Mikuni TM33 carburetor. Sold each.

Size	Mikuni No.	Order No.
1.5	N133.200-2.0	007-501
1.8	N133.200-1.8	007-502
2.0	N133.200-2.0	007-503
2.3	N133.200-2.3	007-504

O-Ring for Needle Valve Seat		
KV/10		002-709
Filter Screen for Needle Valve Seat		
VM18/233		002-606

TM33-8012 Carburetor Rebuild Kit (NEW)

Kit includes GENUINE Mikuni parts to rebuild the TM33-8012 pumper carburetor. Sold as a kit. Order No. 025-661



Photo courtesy of theriderskartel.com

Exhaust

Chemicals

Intake

Control

Suspension

Engine

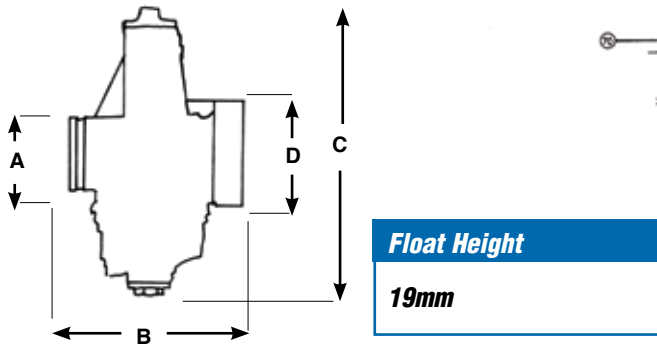
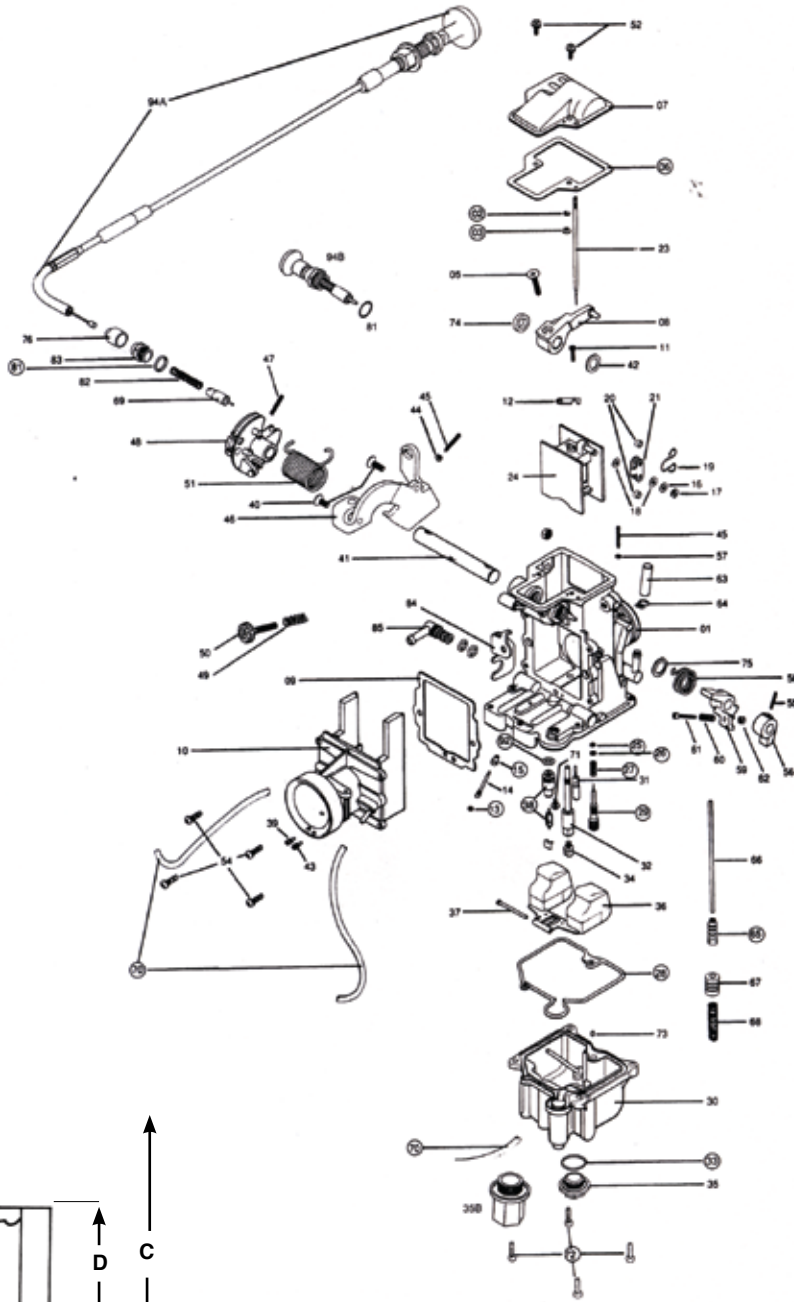
Electrical

Vintage

Tools

Watercraft

MIKUNI TM36/TM40 (HS40) Pumper Carb Exploded View



Carburetor Dimensions

Size (mm)	A	B	C	D	Total Width
TM36-68	42	100	176	54	78
TM40-6/HS40	44	100	165	55	—

Mikuni TM Series Carburetors are intended for off-road riding and racing use only. Not legal for use in California or other locations where similar pollution laws may apply.

TM36 & TM40 (HS40) Standard Jetting Specifications

Carburetor	Main Jet	Main Air Jet	Pilot Jet	Pilot Air Jet	Needle Jet #568 Series	Jet Needle	Throttle Valve & Cutaway	Float Height	Mikuni No.	Order No.
TM36	N100.604 #130	None	VM28/486 #12.5	1.0	#P-8	9DZH6-50	TM36/137 #1.5	19mm	TM36-68	001-552
TM40 (HS40)	N100.604 #165	Plugged	VM28/486 #17.5_1.1		#Y-6	9DJY04-96	TM40/81	19mm	TM40-6	001-085

TM36/TM40 (HS40) Replacement Parts

• Lined through part numbers are no longer available.

Mikuni Part No. Highlighted in **BOLD RED** are included in rebuild kit.

No.	Description	Mikuni No.	Order No.
1.	Mixing Body	TM4055/01	_____
2.	E-Ring	BS32/126	002-455
3.	Washer	826-03002	007-267
4.	Allen Screw	739-13001	007-123
5.	Flat Head Screw 5x14mm	C5-0514	007-625
6.	Gasket	TM36/39	007-119
7.	Top Cover	TM36/59	_____
8.	Lever Assembly	TM36/57	_____
9.	Gasket, Funnel	TM36/42A	_____
10.	Funnel	TM40/03	_____
11.	Screw, Throttle Valve Plate	C2=0310	_____
12.	Plate, Throttle Valve Lever	TM36/12	_____
13.	O-Ring, Nozzle	N124.063	007-163
14.	Pump Nozzle	TM36/43-0.3	007-165
15.	Plug, Nozzle	TM29/14	007-164
16.	Washer	M10/56	002-632
17.	E-Ring	BSW20/70	002-355
18.	Packing	B401/10	002-629
19.	Clip, Throttle Valve Lever	TM27/05A	007-641
20.	Ring, Throttle Valve Lever	TM29/65	_____
21.	Plate, Throttle Valve Lever	TM27/04	_____
23.	Jet Needle (TM40)	J8-9DJY01-96	007-015
	Jet Needle (TM36)	9DZH6-50	007-109
24.	Throttle Valve	TM40/81	007-430
25.	O-Ring	N133.037	002-858
26.	Washer	VM12/33	002-856
27.	Spring	N133.206	007-137
28.	O-Ring, Float Bowl	619-94021	007-197
29.	Screw, Pilot Fuel	604-26003	007-138
30.	Float Chamber Body	TM40/12	007-663
31.	Pilot Jet	VM28/486	Pg.135
32.	568 Series, See Pg.130 for *optional sizes - HS40, TM36, TM40.		
	Needle Jet (HS40) 568 Series Std.	784-13002-Y6	003-666
	Needle Jet (TM36) 568 Series Std.	784-13002-P8	003-656
	Needle Jet (TM40) 568 Series Std.	784-13002-P8	003-656
33.	O-Ring	VM28/254	002-531
34.	Main Jet	N100.604	Pg.137
35.	Drain Plug (TM40) Short	TM32/41	007-646
35B.	Drain Plug (TM36) Long	TM32/41-C	007-712
36.	Float Assembly	T859-32011	007-141
37.	Pin, Float	VM30/160	002-605
38.	Needle Valve Assembly (TM36)	786-36011-3.3	007-505
38A.	Needle Valve Assembly (TM40)	990-786-044-3.8	002-877
39.	Main Air Jet (Plugged)	BS30/97	002-149
40.	Screw 5X12mm	C5-0512-B	007-150
41.	Shaft, Throttle	700-15004	_____
42.	Packing, Shaft	_____	_____
43.	Pilot Air Jet	BS30/97	Pg.136
44.	Hexagon Nut	N2=03-B	007-636
45.	Adjust Screw	TM36/48	007-168
46.	Bracket, Bell Crank	TM40/14	_____
47.	Pin, Throttle Bell Crank	N138.019	007-171
48.	Lever Assembly, Bell Crank	TM40/23	007-665
49.	Spring, Idle Adjust	N150.025	007-633
50.	Idle Adjust (side idle only)	TM40/91	007-495
51.	Spring, Throttle Return	TM36/46A	007-204
52.	Screw, Top Cover	CW2-0408	007-175
54.	Screw, Air Funnel	VM38/133	_____
55.	Pin, A/P Locate	BN38/43	007-617
56.	Lever, A/Pump	TM36/18	007-189
57.	O-Ring	B30/205	007-188
58.	Spring, A/Pump	TM40/33	007-668
59.	Lever, A/Pump	TM36/17	007-292
60.	Spring, A/P Adjust	M12F/46A	002-181
61.	Screw, A/P Adjust	MC-0316	007-193
62.	Hexagon Nut	N3-03-B	007-194
63.	Cap, Vacuum Fitting	N148.013	002-646
64.	Spring Clip, Vacuum Fitting	BVK28/128	_____

TM36/TM40 (HS40) Replacement Parts (cont.)

No.	Description	Mikuni No.	Order No.
65.	Cap, A/P Rubber	TM36/64	007-195
66.	Rod, A/Pump	TM36/44	007-192
67.	Plunger	TM36/60	007-198
68.	Spring, A/Pump	VM14SC13/89	007-200
69.	Plunger, Starter	VM38/148	007-203
70.	Hose	888-23026	007-608
71.	Screw, Needle Valve Holder	VM13/216	007-174
72.	Screw, Float Bowl	C2-0412-B	007-201
73.	Starter Jet	VM17/1002	Pg.136
74.	Packing, Shaft	VM28/174	_____
75.	Ring, A/P Spring	E204040	007-628
76.	Cap, Starter Cable	VM12/43	007-676
81.	O-Ring	N138.198	007-160
82.	Spring Starter	VM16/42	002-671
83.	Guide Holder	640-12001	007-161
84.	Plate, Fuel Inlet	TM40/26	_____
85.	Inlet, Fuel	TM40/27	007-667
92.	O-Ring, Needle Valve	KV/10	002-709
94.	Choke Cable Assembly	990-662-001	007-209
94B.	Choke Knob	TM40/07	007-684



HS40 (TM40) Carburetor Rebuild Kit

Kit contains GENUINE Mikuni parts, all the necessary parts and gaskets to rebuild an HS40 carburetor. Includes needle valve assembly, o-rings, gaskets and screws. Sold as a kit.

Mikuni No. KHS-001. Order No. **002-985**

Exploded

View No.	Qt	Contents
2	1	E-Ring, Jet Needle
3	1	Washer, Jet Needle
6	1	Gasket, Top Cover
13	1	O-Ring, A/P Nozzle
15	1	Plug, A/P Nozzle
25	1	O-Ring, Fuel Screw
26	1	Washer, Fuel Screw
27	1	Spring, Fuel Screw
28	1	O-Ring, Float Bowl
29	1	Screw, Pilot Fuel
33	1	O-Ring, Drain Plug
38A	1	Needle Valve Assy #3.8
39	1	Main Air Jet (Plugged)
65	1	Cap, A/P Rubber
70	1	Hose
72	4	Screw, Float Bowl
81	1	O-Ring, Starter
92	1	O-Ring, Needle Valve

See next page for HS40 (TM40) Parts & Accessories

Page 111

Exhaust
Chemicals
Intake
Control
Suspension
Engine
Electrical
Vintage
Tools
Watercraft



Rubber Flange Adapters Sold each.

Genuine Mikuni rubber flange adapters for Evolution or Sportster/ Shovelhead Kit.

Description	Mikuni No.	Order No.
HS40-6K	I-VM36-200-1	002-054
HS40-7K	I-VM38-200-1	002-055
HS40 All	KHS-004	002-986

K&N Air Filters

The replacement air filters for the HS Series are K&N Air Filters made especially for the HS Series Carburetors

Description	Mikuni No.	Order No.
Chrome Air Cleaner Cover	RS36/24-200	007-215
Replacement Element Only	RS36/25-200	007-216



HS40 Carb Adapter for 1990 H-D® Models with Standard Carb/Spigot Adapter Rings

To fit HS40-6K Evolution Carb Kit to 1990-on Harley Davidson® models equipped with the Keihin 40mm CV carb. Sold each.

Description	Mikuni No.	Order No.
EVO Adapter Ring	MK-413	005-095



Throttle Cables Sold each.

Replacement cables for your HS Series Kit.

Description	Mikuni No.	Order No.
Throttle Cable (Pull)	RS36/34-A	007-210
Idle Cable (Push)	RS36/35-A	007-211

(cables available in +6" and 4" shorter)

Jet Needles TM36

No. 23 in exploded view on page 109, Parts list page 110.

Mikuni No.	Diameter	Order No.
#9DZH06-50 (Std)		007-109

#9EBY01-51	2.51	Leaner	007-106
#9EBY01-50	2.50	Richer	007-105

When using these Jet Needles **007-105** & **007-106**, the use of a larger pilot jet may be required.

Manifold Sold each.

Description	Mikuni No.	Order No.
Sportster Breather Kit	KHS-010	002-988
Evo Drop Manifold Kit	KHS-009	002-987

Jet Needles TM40 (HS40)

No. 23 in exploded view on page 109, Parts list page 110.

Mikuni No.	Diameter		Order No.
#9DJY01 (Std)	2.97	Leaner	007-015
#9DJY03	2.96	↕	007-017
#9DJY02	2.95		007-016
#9DJY04	2.98	Richer	007-018



Early Style TMX



Late Style TMX

Mikuni TMX Carburetors

The TMX series (early) carburetors feature a flat slide design in a smooth bore venturi to provide improved throttle response and wider powerband. Later series (late) TMX feature a flat/oval type slide. Light weight and compact body. TMX series carburetors are available in 35mm bore size for 125cc race engines and 38mm bore sizes for 250cc race engines.

TMX Flat Slide Carburetors (Early Style) Standard Jetting

Carburetor	Main Jet	Pilot Jet	Jet Needle	Throttle Valve Cutaway	Needle Valve Set	Float Height	Mikuni No.	Order No.
TMX35-1	4/042 #350	VM22/210 #20	6EN11-53	9998-832-014-6.0	786-36004-3.5	20mm	TMX35-1	001-034
TMX38-18	4/042 #370	VM22/210 #20	6EJ12-55	9998-832-014-3.5	786-36004-3.5	20mm	TMX38-18	001-076
TMX38-27	4/042 #370	VM22/210 #20	6EJ12-55	9998-832-014-3.5	786-36004-3.5	20mm	TMX38-27	001-077

TMX Oval Slide Carburetors (Late Style) Standard Jetting

Carburetor	Main Jet	Pilot Jet	Jet Needle	Throttle Valve Cutaway	Needle Valve Set	Float Height	Mikuni No.	Order No.
TMX38	4/042 #310	N224.103 #20	6BEG18-68	832-42016-5.0	786-36011-3.8	6 - 7mm	TMX38-2	001-074
TMX38	4/042 #640	N224.103 #30	6BEG2-60	832-42016-5.0	786-26004-1.5	6 - 7mm	TMX38-5	001-075

Special Set TMX Flat Slide Carburetors

Use the following part numbers when ordering for special jetting request.

Carburetor	Mikuni Reference	Jetting Change
TMX35	TMX35-1	001-182
TMX38	TMX38-18	001-189
TMX38	TMX38-27	001-184



TMX Carb-Air Boot Adapter

An option available for the TMX Carburetors is this carb to air boot adapter. Required for some applications when replacing a stock OEM carburetor with an aftermarket TMX carburetor. Sold each.

Order No. **005-080**

TMX Series Throttle Valves (Early Style)

Throttle valves. for TMX35 and TMX38. Sold each.

Cutaway	Mikuni No.	Order No.
3.0.	999-832-014-3.0	002-472
3.5.	999-832-014-3.5	002-473
4.0.	999-832-014-4.0	002-476
5.0.	999-832-014-5.0	002-474
6.0.	999-832-014-6.0	002-475

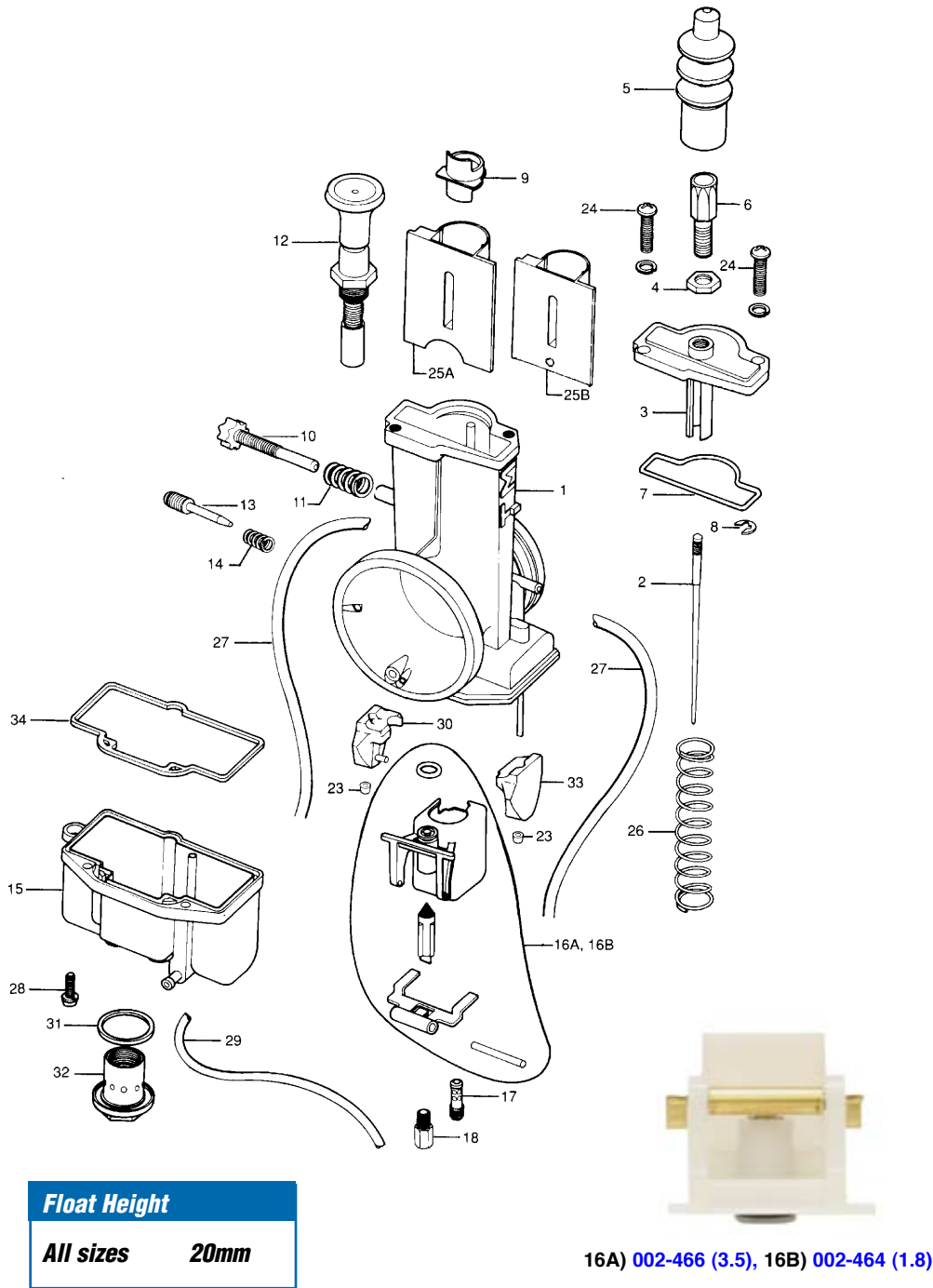
TMS Throttle Valves

Applications: TMS. Sold each.

Engine	Inlet Hole	Outlet Hole	Mikuni No.	Order No.
250cc	3.0mm	2.0mm	999-832-017 "1G"	007-410
125cc	2.0mm	1.4mm	999-832-017 "1H"	007-411

MIKUNI TMS/TMX Series (Early Style) Exploded View

Watercraft
Tools
Vintage
Electrical
Engine
Suspension
Control
Intake
Chemicals
Exhaust



Carburetor Dimensions

Size (mm)	A	B	C	D	Total Width
TMX35-1	40	76	164	62	76
TMX38-18	47	76	164	62	76
TMX38-27	44	76	164	62	76
TMS38-77	44	76	164	62	76
TMS38-78	47	76	164	62	76

Mikuni TMX Series Carburetors are intended for off-road riding and racing use only. Not legal for use in California or other locations where similar pollution laws may apply.

TMX Flat Slide Carburetors (Early Style) Standard Jetting

Carburetor	Main Jet	Pilot Jet	Jet Needle	Throttle Valve Cutaway	Needle Valve Set	Float Height	Mikuni No.	Order No.
TMX35-1	4/042 #350	VM22/210 #20	6EN11-53	9998-832-014-6.0	786-36004-3.5	20mm	TMX35-1	001-034
TMX38-18	4/042 #370	VM22/210 #20	6EJ12-55	9998-832-014-3.5	786-36004-3.5	20mm	TMX38-18	001-076
TMX38-27	4/042 #370	VM22/210 #20	6EJ12-55	9998-832-014-3.5	786-36004-3.5	20mm	TMX38-27	001-077

TMS/TMX Early Style Replacement Parts

• Lined through part numbers are no longer available.

Mikuni Part No. Highlighted in **BOLD RED** are included in rebuild kit.

Note: TMS carburetor is no longer in production.

No.	Description	Mikuni No.	Order No.
1.	Mixing Body, Carb	TMS38SS11	
2.	Jet Needle. See chart at bottom of page.		
	Jet Needle (TMX35)	6EN11	See Chart
	Jet Needle (TMX38)	6EJ12	See Chart
	Jet Needle (TMS38) for 125cc	6GDY12	See Chart
	Jet Needle (TMS38) for 250cc	6DGY04	See Chart
3.	Cover, Carb Top	776-19014	002-451
4.	Lock Nut, Adjuster	B30/247	002-065
5.	Cap, Rubber	VM34/282	002-452
6.	Adjuster, Cable	VM34/282	002-453
7.	O-Ring, Top Cover	616-93009	002-454
8.	E-Ring, Needle Clip	BS32/126	002-455
9.	Ring, Retaining	TM38/54	002-456
10.	Adjuster, Idle Stop	TM38/54	002-457
11.	Spring, Idle Adjust	N110209	002-655
12.	Plunger, Starter Assy.	TM38/57	002-458
13.	Screw, Idle Adjuster	603-36002	002-459
14.	Spring, Air Screw	VM15/112	002-863
15.	Chamber, Float Bowl	TM38/48	002-461
16A.	Valve Seat, Needle Assembly.	786-36004 (3.5)	002-466
16B.	Valve Seat, Needle Assembly.	786-36004 (1.8)	002-464
17.	Pilot Jet	VM22/210	Pg.135
18.	Main Jet	4/042	Pg.137
23.	Cap, Float Retainer	VM26/42	002-718
24.	Screw, Top Cover 4 x 12mm	CW2=0412	002-748
25A.	Throttle Valve TMX (see chart)	999-832-014	Pg.112
25B.	Throttle Valve TMS (see chart)	999-832-017	Pg.112
26.	Spring, Throttle Valve	730-13019	002-477
27.	Hose, Vent (Black)	888-24011	002-478
28.	Screw, Float Bowl 3 x 8mm	CW2=308	002-479
29.	Hose, Overflow	888-23022	002-480
30.	Float, Left Side	859-52021	002-482
31.	O-Ring, Drain Plug	BN042/64	002-602
32.	Drain Plug	TM38/44	002-483
33.	Float, Right Side	859-52020	002-481
34.	Gasket, Float Bowl	TM32/52	002-484
	*Not shown in exploded view.		
	*Needle Valve only	788-26005	002-469



TMS/TMX Early Style Carburetor Rebuild Kit

Applications: TMS38, early style TMX35, TMX38. Kit includes GENUINE Mikuni parts to rebuild the TMS and early style TMX Carburetors.

Sold as a kit. Two kits available:

With 3.5 Needle Assembly Valve Seat.	007-950
With 1.8 Needle Assembly Valve Seat.	007-951

Exploded

View No.	Qt	Contents
5.	1	Cap, Rubber
7.	1	O-Ring, Top Cover
8.	1	E-Ring, Needle Clip
9.	1	Ring, Retaining
13.	1	Screw, Idle Adjuster
14.	1	Spring, Air Screw
16A.	1	Valve Seat, Needle Assembly. (in Rebuild Kit 007-950)
16B.	1	Valve Seat, Needle Assembly (in Rebuild Kit 007-951)
23.	1	Cap, Float Retainer
24.	2	Screw, Top Cover 4 x12mm
28.	1	Screw, Float Bowl 3 x 8mm
31.	1	O-Ring, Drain Plug
34.	1	Gasket, Float Bow

TMX Series Jet Needles

Jet Needles for early style TMX35 and TMX38. Sold each.

Application	Jet Needle	Jet Needle Diameter	Order No.	Air/Fuel Ratio
TMX35	6EN11-58	2.58	007-056	Leaner
TMX35	6EN11-57	2.57	007-055	↑
TMX35	6EN11-56	2.56	007-054	
TMX35	6EN11-55	2.55	007-053	↓
TMX35	6EN11-54	2.54	007-052	
TMX35	6EN11-53	2.53	007-051	↓
TMX35	6EN11-52	2.52	007-050	
TMX38	6EJ12-60	2.60	007-077	Leaner
TMX38	6EJ12-59	2.59	007-076	↑
TMX38	6EJ12-58	2.58	007-075	
TMX38	6EJ12-57	2.57	007-074	↓
TMX38	6EJ12-56	2.56	007-073	
TMX38	6EJ12-55	2.55	007-072	↓
TMX38	6EJ12-54	2.54	007-071	
TMX38	6EJ12-53	2.53	007-070	Richer

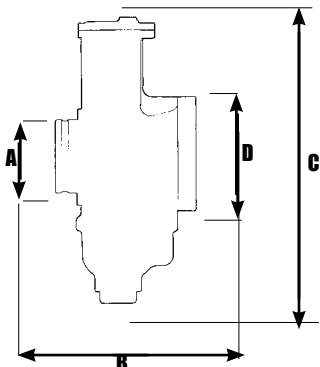
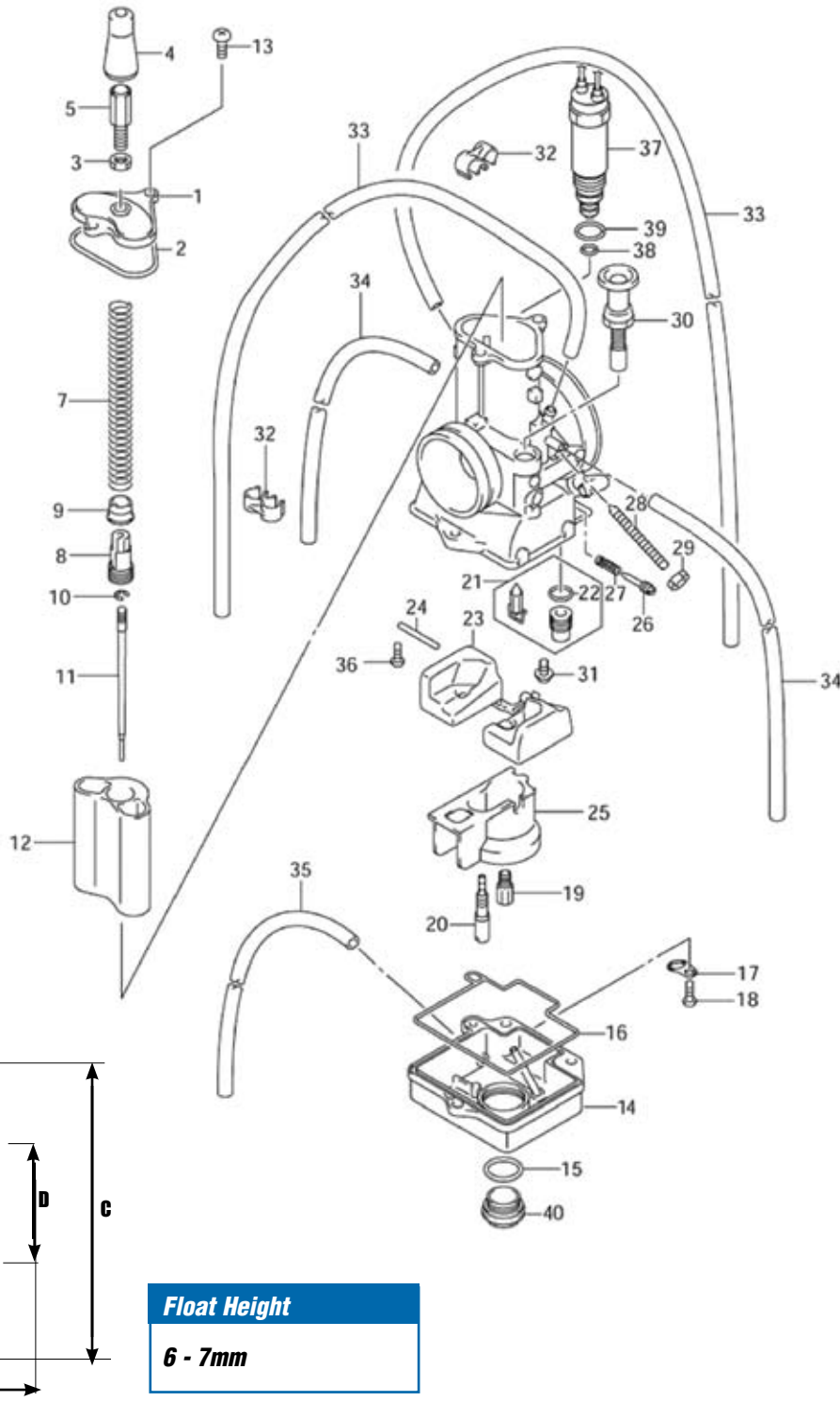
TMS Series Jet Needles

Jet Needles for early style TMS38. Sold each.

Application	Jet Needle	Jet Needle Diameter	Order No.	Air/Fuel Ratio
TMS38-77, 78 125cc	6GDY12-59	2.59	007-088	Leaner
TMS38-77, 78 125cc	6GDY12-59	2.58	007-087	↑
TMS38-77, 78 125cc	6GDY12-59	2.57	007-086	
TMS38-77, 78 125cc	6GDY12-59	2.56	007-085	Richer
TMS38-77, 78 250cc	6DGY04-60	2.60	007-048	Leaner
TMS38-77, 78 250cc	6DGY04-59	2.59	007-047	↑
TMS38-77, 78 250cc	6DGY04-58	2.58	007-046	
TMS38-77, 78 250cc	6DGY04-57	2.57	007-045	↓
TMS38-77, 78 250cc	6DGY04-56	2.56	007-044	
TMS38-77, 78 250cc	6DGY04-55	2.55	007-043	↓
TMS38-77, 78 250cc	6DGY04-54	2.54	007-042	

Mikuni TMX Series (Late Style) Exploded View

Exhaust
Chemicals
Intake
Control
Suspension
Engine
Electrical
Vintage
Tools
Watercraft



Float Height
6 - 7mm

Carburetor Dimensions

Size (mm)	A	B	C	D	Total Width
TMX38-2	46	75	152.5	62	86
TMX38-5	46	70	152.5	62	86

Mikuni TMX Series Carburetors are intended for off-road riding and racing use only. Not legal for use in California or other locations where similar pollution laws may apply.

TMX Oval Slide Carburetors (Late Style) Standard Jetting

Carb Size	Main Jet	Pilot Jet	Needle Jet	Jet Needle	Throttle Valve Cutaway	Needle Valve Set	Float Height	Mikuni No.	Order No
TMX38	4/042 #310	N224.103 #20	6BEG18-68	832-42016-5.0	832-42016	786-36011-3.8	6-7mm	TMX38-2	001-074
TMX38	4/042 #640	N224.103 #30	6BEG2-60	832-42016-5.0	832-42016	786-26004-1.5	6-7mm	TMX38-5	001-075

TMX Later Style Replacement Parts

• Lined through part numbers are not available.

No.	Description	Mikuni No.	Order No.	
			TMX38-2	TMX38-5
1.	Cover, Carb Top	776-19043	_____	_____
	Cover, Carb Top	TMR38/18	_____	_____
2.	O-Ring, Top Cap	616-93055	007-754	007-754
3.	Lock Nut, Adjuster	B30/247	002-065	002-065
4.	Rubber Cap	VM34/282	002-452	_____
	Rubber Cap	30BIC/84	_____	_____
5.	Adjuster Screw (Cable)	VM30/77	002-453	_____
	Adjuster Screw (Cable)	VM20/683	_____	_____
6.	Needle Jet (not shown)	press fit - N/A	_____	_____
	Needle Jet	784-13005	_____	_____
		(633 Series)	_____	_____
7.	Spring, Throttle Valve	730-12040	_____	_____
8.	Needle Retainer	TMR36/01	_____	_____
9.	Guide	TMR38/33	_____	_____
10.	E-Ring	TM32/90	_____	_____
11.	Jet Needle	6BEG18-68-3	_____	_____
	Jet Needle	6EG2-60-3	_____	_____
12.	Throttle Valve (oval type)	832-42016-XX	_____	_____
13.	Screw 4 x 14mm	C2=0414	007-621	007-621
14.	Float Bowl	TMR38/11-1A	_____	_____
	Float Bowl	TMR38/11-1C	_____	_____
15.	O-Ring, Drain Plug	VM26/227	002-825	002-825
16.	Gasket, Float Bowl	616-93054	007-753	007-753
	Gasket, Float Bowl	616-93057	_____	_____
17.	Clamp Plate for Float Bowl Vent Hose	_____	_____	_____
18.	Screw only 5 x 14mm	C2=0514	_____	_____
19.	Main Jet	4/042	Pg.137	Pg.137
20.	Pilot Jet	N224.103	Pg.136	Pg.136
21.	Needle Valve Assembly	786-36011-(3.8)	002-877	_____
		786-26004-(1.5)	_____	_____
22.	O-Ring, Needle Valve Assy	KV/10	002-709	002-709
23.	Float	859-32035	_____	_____
	Float	859-32039	_____	_____
24.	Float Pin	VM20/315	002-470	002-470
25.	Ring, Main Jet	TMR38/09	_____	_____
26.	Screw, Air Adjuster	603-36002	002-459	002-459
27.	Spring, Air Screw	VM15/112	002-863	002-863
28.	Screw, Idle Stop	TMR36/09	_____	_____
29.	Nut, Idle Stop Screw	N138050	_____	_____
30.	Choke Assy	VM29/47	002-816 (see 30A-30F)	_____
30A.	Plunger	VM15SC4/85	_____	002-095
30B.	Spring	VM16/42	_____	_____
30C.	Starter Plunger Fitting	M15/37	_____	002-093
30D.	Rubber Cap	30BIC/84	_____	_____
30E.	Adjust Screw	M21/14	_____	_____
30F.	Nut	B30/247	_____	002-065
31.	Screw, Needle Valve Holder	VM13/216	007-174	007-174
32.	Clamp, Vent Hose	_____	_____	_____
33.	Hose, Vent	888-23041	_____	_____
	Hose, Vent	888-23045-37	_____	_____
34.	Hose, Vent	888-23041	_____	_____
35.	Hose, Float Bowl Overflow	VM20/594	_____	_____
36.	Screw only, 4 x 8mm	C2=0408	_____	_____
37.	Solenoid	TM38/87-1A	_____	_____
38.	O-Ring, Solenoid	BV32/04	002-212	002-212
39.	O-Ring, Solenoid	BV30/40	002-617	002-617
40.	Drain Plug	894-80001	_____	_____



Honda OEM TMX Throttle Valve

Flat throttle valve for Honda CR250R (01-03)
Fits Honda OEM TMX38 carburetor only. Sold each.

Cutaway	Mikuni No.	Order No.
5.0.	832-41018-5.0	007-415



Honda OEM 633 Series Nozzle (Needle Jet)

Nozzles for Honda CR125R (00-01), CR250R (2001).
Optional for Kawasaki KX125L3. Sold each.

Size	Mikuni No.	Order No.
S-4	784-13005	003-720
S-7	784-13005	003-722
S-8	784-13005	003-723
S-9	784-13005	003-724

Leaner
↑
↓
Richer



OEM Needle Valve Assembly

Includes needle valve, clip, seat and o-ring. OEM Replacement
for models using late style Mikuni TMX36 and TMX38 carburetors.
Sold each.

Mfg.	Model	Year	OEM Reference & Size	Order No.
Honda	CR125R	01-07	16011-KZ4-A92 (3.8)	007-953
Husqvarna	CR125 w/TMX			007-953
Kawasaki	KX125	01-05	16030-1096 (3.8)	007-953
Suzuki	RM125	00-07	13370-36F00 (3.3)	007-954
Yamaha	YZ125	95-08	4PE-14107-38-00 (3.8)	007-953



VM Series Round Slide Single Carburetors

These are the most popular high performance singles carburetor in the sport of motorcycling. Mikuni's VM series round slide single Carburetors have proven themselves as the performance standard for use in any single cylinder motorcycle or ATV applications for motocross, enduro and trail riding, to flat track racing and road racing on both 2-stroke and 4-stroke engines.

Performance features for the VM Series Carburetors include a large selection of bore sizes for increased fuel mixture flow to match engine modifications. The VM Series offers a wide range of tuning components to allow precise fuel mixture metering in any application, at any throttle setting, under any riding condition. VM Series Carburetors are sold pre-jetted. (see Standard Jetting Specifications below) Special Jetting also available, see next page.

Please Note: Changes and jetting modifications are for use only on racing machines or similar off-road vehicles where pollution laws are not in effect. Not legal for vehicles operated on public highways in the State of California or other areas where similar pollution laws may apply.

"Left" Idle Screw Standard Jetting Specifications

Carb Size	Main Jet	Pilot Jet	Needle Jet	Jet Needle	Throttle Valve Cutaway	Air Jet	Needle Valve Set	Float Height	Mikuni No.	Order No.
VM16	N100.604 #70	VM22/210 #25	#165 D-8	#3DJ3	2.5	None	VM15/172-1.8	24-26mm	VM16-519	001-000
VM18	4/042 #80	VM22/210 #30	#145 O-0	#4F18	VM18/158 1.0	None	VM15/172-1.5	20-22mm	VM18-144	001-001
VM20	4/042 #180	M28/1001 #22.5	#239 O-6	#4J13	VM20/491 2.0	0.5 Fixed	VM15/172-1.5	20-22mm	VM20-273	001-005
VM22	4/042 #100	VM22/210 #30	#257 N-8	#4D20	VM26/21 2.0	None	VM26/26-2.0	24-26mm	VM22-133	001-007
VM26	4/042 #190	VM22/210 #60	#182 N-8	#5F21	VM26/56 2.0	BS30/97 0.5	VM26/26-2.5	15-17mm	VM26-8074	001-020
VM26	4/042 #190	M28/1001 #22.5	#332 O-0	#5E75	VM24/361 1.5	Fixed	VM26/26-2.5	22-24mm	VM26-606	001-021
VM30	4/042 #250	VM22/210 #40	#159 P-5	#6F5	VM234/110 2.5	BS30/97 2.0	VM34/39-3.3	22-24mm	VM30-83	001-024
VM32	4/042 #200	VM22/210 #35	#159 Q-6	#6DP17	VM234/110 3.0	BS30/97 2.0	VM34/39-3.3	22-24mm	VM32-33	001-028
VM34	4/042 #260	VM22/210 #35	#159 Q-2	#6DH4	VM234/110 2.5	BS30/97 2.0	VM34/39-3.3	22-24mm	VM34-168	001-030
VM36	4/042 #310	VM22/210 #35	#159 Q-5	#6FJ6	VM36/36-2.5	BS30/97 2.0	VM34/39-3.3	17-19mm	VM36-4	001-035
VM44	4/042 #310	VM22/210 #35	#224 AA-5	#7F7	VM44/23-2.5	BS30/97 0.5	VM34/39-3.3	17-19mm	VM44-3	001-048

"Right" Idle Screw Standard Jetting Specifications

Carb Size	Main Jet	Pilot Jet	Needle Jet	Jet Needle	Throttle Valve Cutaway	Air Jet	Needle Valve Set	Float Height	Mikuni No.	Order No.
VM24	4/042 #210	VM22/210 #40	#864 N-8	#5114	1.5	None	786-15005-2.5		VM24-512	001-018
VM32	4/042 #200	VM22/210 #35	#159 Q-6	#6DP17	VM32/65 3.0	BS30/97 2.0	VM34/39-3.3	22-24mm	VM32-193	001-051
VM34	4/042 #260	VM22/210 #35	#159 Q-2	#6DH4	VM32/65 2.5	BS30/97 2.0	VM34/39-3.3	22-24mm	VM34-275	001-052
VM38	4/042 #330	VM22/210 #30	#166 Q-2	#6DP1	VM38/24 2.5	BS30/97 0.5	VM34/39-3.3	17-19mm	VM38-9	001-040

Snowmobile Single Carburetor Standard Jetting Specifications

Carb Size	Main Jet	Pilot Jet	Needle Jet	Jet Needle	Throttle Valve Cutaway	Air Jet	Needle Valve Set	Float Height	Mikuni No.	Order No.
VM34	4/042 #330	VM22/210 #30	#159 Q-0	#6DH3	VM34/110 2.5	BS30/97 2.0	VM28/163-1.5	22-24mm	VM34-389	001-029
VM38	4/042 #360	VM22/210 #40	#166 Q-0	#6DH3	VM38/24 2.5	2.5 Body	VM28/163-1.5	22-24mm	VM38-21	001-041
VM44	4/042 #540	VM22/210 #35	#224 AA-5	#7DH2	VM40/02 1.5	BS30/97 0.7	VM28/163-1.5	17-19mm	VM44-7	001-047

(aluminum)

Sudco Special Jetting for VM Series Round Slide Single Carburetors

Sudco can also "Special Jet" any Mikuni VM series carburetor for your particular application. Below is the information you will need to provide our Carburetor Technician Specialist's so they can provide you with the correct carburetor and jetting.

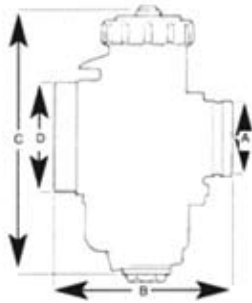
1. Carburetor Size (mm)
2. Type of Carburetor: Clamp-on, Spigot Mount, Flange Mount, Flat-Slide, etc.
3. Application: Model, Year and cubic centimeters. (125cc, 250cc, etc.)
4. Modifications done to engine: Explain in detail, example - big bore kit with cc change, ported cylinder, etc.
5. Type of use for motorcycle: Street, Drag Racing, Road Race, Motocross, Offroad, Enduro, etc.
6. Type of Fuel used
7. Climate conditions: sea level, area of use, high altitude, etc.

Most popular settings are already available. However, if you have modifications done, it is necessary to follow the guidelines to insure receiving the proper jetting at the closest range.

Use the following part numbers when ordering for special jetting or throttle valve change.

Left Idle Screw Carburetor	Jetting Change	Throttle Valve Change	Right Idle Screw Carburetor	Jetting Change	Throttle Valve Change
VM20	001-150	001-151	VM20	_____	_____
VM22	001-138	001-139	VM20	_____	_____
VM26	001-110	001-111	VM26	_____	_____
VM30	001-114	001-115	VM30	_____	_____
VM32	001-116	001-117	VM32	001-166	001-167
VM34	001-160	001-161	VM34	001-168	001-169
VM36	001-122	001-123	VM36	_____	_____
VM38	_____	_____	VM38	001-126	001-127
VM44	001-132	001-133	VM44	_____	_____

Please Note: Changes and jetting modifications are for use only on racing machines or similar off-road vehicles where pollution laws are not in effect. Not legal for vehicles operated on public highways in the State of California or other areas where similar pollution laws may apply.



Clamp-On Mount Type



Flange Mount Type

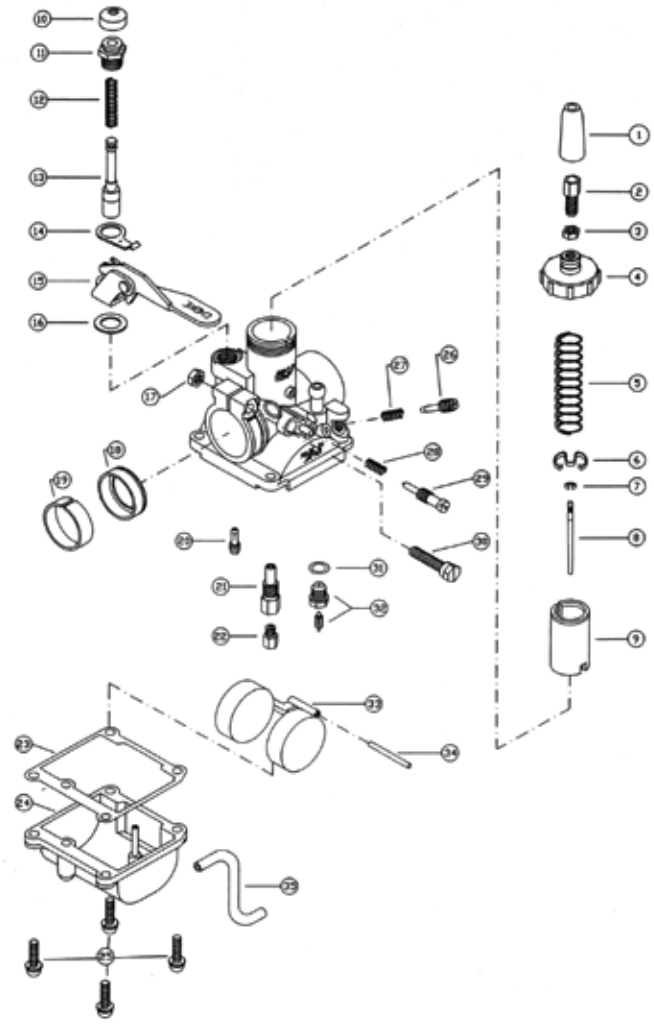


Spigot Mount Type

VM Series Round Slide Single Carburetor Dimensions

Size (mm)	A	B	C	D	Total Width	Throttle Adjust Position	Air Screw Position	Weight (g)	Throttle Valve Material
VM16 Clamp-On	21 ID	67	95	28	61	Left	Left	446	Aluminum
VM18-Clamp-On	22 ID	67	108	32	61	Left	Left	492	Aluminum
VM20 Flange	50.8 Bolt Center	66	115	43	76.5	Left	Left	546	Aluminum
VM22 Flange	49 Bolt Center	85	114	43	82	Left	Left	828	Aluminum
VM24 Spigot	35	80	116	43	76.5	Right	Left	670	Brass
VM26 Spigot	35	93	122	44	82	Left	Right	550	Brass
VM30 Spigot	40	93	137	59	83	Left	Right	800	Brass
VM32 Spigot Left Idle	40	102	142	58	83	Left	Right	770	Brass
VM32 Spigot Right Idle	40	102	142	58	83	Right	Right	770	Brass
VM34 Spigot Left Idle	40	93	137	58	83	Left	Right	750	Brass
VM34 Spigot Right Idle	40	93	137	58	83	Right	Right	750	Brass
VM36 Spigot	43	116	152	62	79	Left	Right	750	Brass
VM38 Spigot	43	116	154	62	79	Right	Right	830	Brass
VM44 Spigot	52	116	193	70	79	Left	Right	1104	Brass

Exhaust
Chemicals
Intake
Control
Suspension
Engine
Electrical
Vintage
Tools
Watercraft



Mikuni VM18 Clamp-On Carburetor

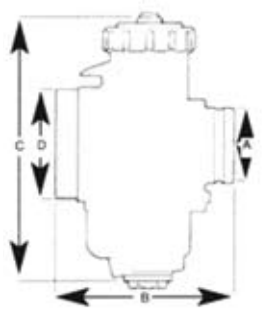
Sold each. Mikuni No.VM18-144 Order No. 001-001

VM18 Replacement Parts

• Lined through part numbers are not available.

No.	Description	Mikuni No.	Order No.
1.	Rubber Cap, Throttle Cable	VM18/67	007-685
2.	Cable Adjuster	M21/14	002-062
3.	Nut, Cable Adjuster	B30/247	002-065
4.	Top, Mixing Chamber	VM16/40	007-273
5.	Spring, Throttle Valve	VM18/170	007-274
6.	Clip, Jet Needle Retaining	VM18H1/38	007-686
7.	E-Ring, Jet Needle	VM20/369	002-083
8.	Jet Needle	J8-4F18	_____
9.	Throttle Valve (slide)	VM18/158-1.0	007-425
10.	Rubber Cap, Starter Plunger	VM20/455	002-084
11.	Fitting, Starter Plunger	VM20/456	002-085
12.	Spring, Starter Plunger	VM16/42	002-671
13.	Starter Plunger	VM18/144	002-092
14.	Spring Plate, Starter Lever	VM18/151	_____
15.	Starter Lever	VM18/215	007-687
16.	Washer, Starter Lever	BV26/118	_____
17.	Nut, Clamp Bolt	N1=05	007-279
18.	Sealing Ring, Rubber	VM18/326	007-280
19.	Ring, Insulator (I.D.=23mm)	VM18/327	007-281
20.	Pilot Jet	VM22/210	Pg.135
21.	Needle Jet	VM15H1/17-0-0	_____
22.	Main Jet	4/042	Pg.137
23.	Gasket, Float Bowl	VM17/161	007-282
24.	Float Bowl	VM18/161	007-283
25.	Screw, Float Bowl 4x14mm	CW2=0414	002-522
26.	Air Adjusting Screw	VM20/305	002-720
27.	Spring, Air Adjusting Screw	VM15/112	002-863
28.	Spring, Idle Adjusting Screw	VM15/112	002-863
29.	Idle Adjusting Screw	VM18/164	007-284
30.	Bolt, Clamp	VM16/65	007-285
31.	Washer, Needle Valve Seat	VM15/07	007-286
32.	Needle Valve Assembly	VM15/172-#1.5	007-288
33.	Float	VM17/159	007-290
34.	Pin, Float	BV26/22	002-107
35.	Hose, Overflow	VM13/06	_____

Mikuni VM Series Carburetors are intended for off-road riding and racing use only. Not legal for use in California or other locations where similar pollution laws may apply.



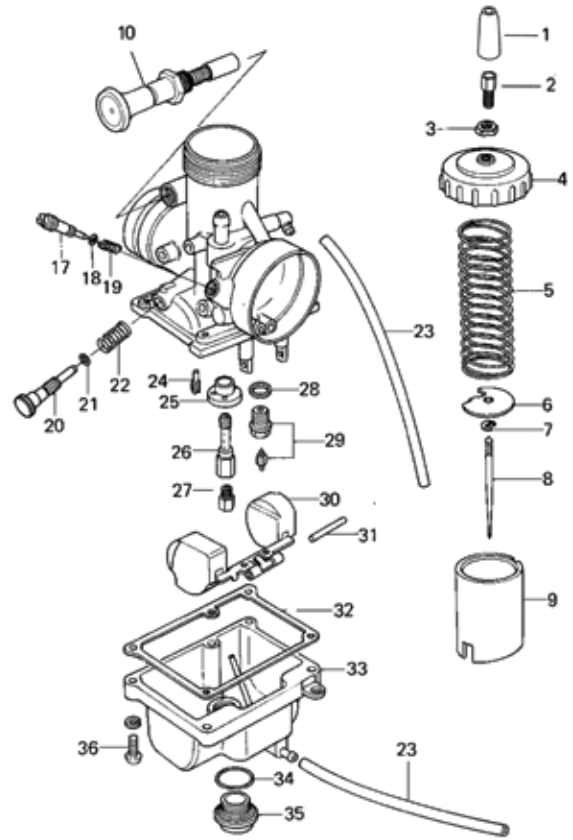
Float Height
20 - 22mm

Carburetor Dimensions

Size (mm)	A	B	C	D	Total Width
VM18-144	22 ID	67	108	32	61

VM18 Clamp-On Standard Jetting Specifications

Carb Size	Main Jet	Pilot Jet	Needle Jet	Jet Needle	Throttle Valve Cutaway	Air Jet	Needle Valve Set	Float Height	Mikuni No.	Order No.
VM18	4/042 #80	VM22/210 #30	#145 O-0	#4F18	VM18/158 1.0	None	VM15/172-1.5	20-22mm	VM18-144	001-001



Mikuni VM26-606 Spigot Mount Carburetor

Sold each. Mikuni No. VM26-606. Order No. 001-021

VM26-606 Carb Rebuild Kit (NEW)

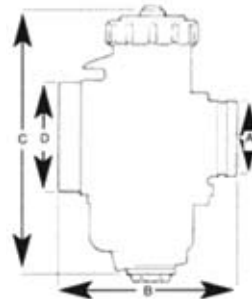
Sold as a kit. Mikuni No. MK-606. Order No. 025-660

VM26-606 with side choke Replacement Parts

• Lined through part numbers are not available.

No.	Description	Mikuni No.	Order No.
1.	Rubber Cap, Throttle Cable	VM26/46	002-061
2.	Cable Adjuster	M21/14	002-062
3.	Nut, Cable Adjuster	B30/247	002-065
4.	Top, Mixing Chamber	VM26/44A	002-236
5.	Spring, Throttle Valve	VM24/195	002-069
6.	Spring Seat Plate	VM28/132	002-079
7.	E-Ring, Jet Needle	VM20/369	002-083
8.	Jet Needle	J8-5E75	007-005
9.	Throttle Valve (slide)	VM24/361-1.5	_____
10.	Starter Plunger Assembly	VM16/210A	007-752
17.	Air Screw	VM14/73	_____
18.	O-Ring, Air Screw	VM14/75	002-676
19.	Spring, Air Screw	VM15/112	002-863
20.	Idle Adjuster Screw	603-16002	_____
21.	O-Ring, Idle Adjuster Screw	BV32/04	002-212
22.	Spring, Idle Adjuster Screw	VM26/197	_____
23.	3mm I.D. Vent & Overflow Hose	VM17/177A	_____
24.	Pilot Jet	M28/1001	Pg.135
25.	Main Jet Ring	VM26/538	_____
26.	Needle Jet 0-0 (332 Series)	VM26/581	003-730
27.	Large Hex Main Hex	4/042	Pg.137
28.	Washer, Needle Valve Seat	VM26/25	002-188
29.	Needle Valve Assembly 2.5	VM26/26-#2.5	007-190
30.	Float	VM24/365	007-255
31.	Pin, Float	BV26/22	002-107
32.	Gasket, Float Bowl	VM20/492	007-250
33.	Float Bowl	VM22/314	_____
34.	O-Ring, Drain Plug	BN042/64	002-602
35.	Drain Plug, Main Jet	BN042/58	_____
36.	Screw, Float Bowl 4x16mm	CW2=0416	002-823

Mikuni VM Series Carburetors are intended for off-road riding and racing use only. Not legal for use in California or other locations where similar pollution laws may apply.



Float Height

22- 24mm

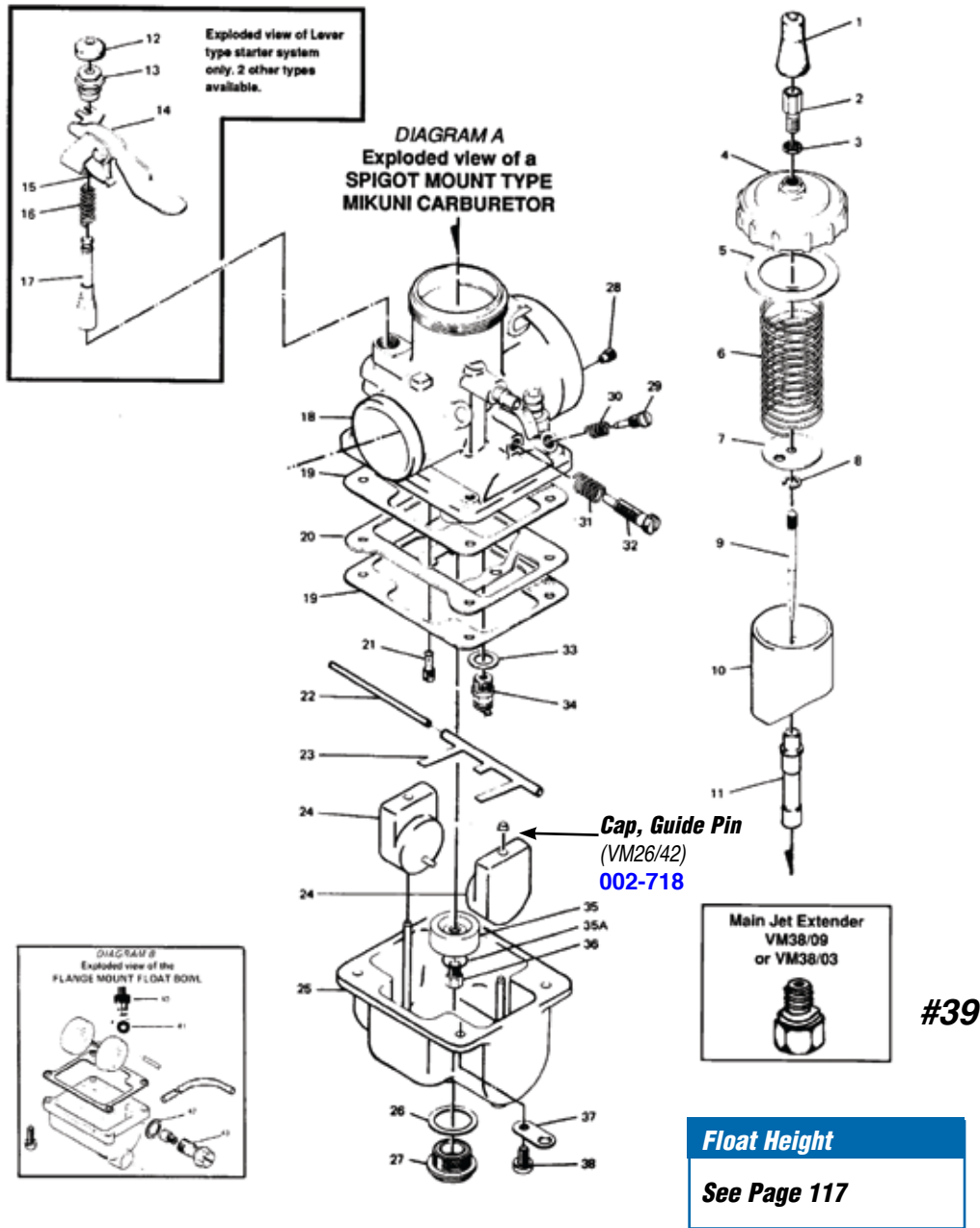
Carburetor Dimensions

Size (mm)	A	B	C	D	Total Width
VM26	35	93	122	44	82

VM26-606 Standard Jetting Specifications

Carb Size	Main Jet	Pilot Jet	Needle Jet	Jet Needle	Throttle Valve Cutaway	Air Jet	Needle Valve Set	Float Height	Mikuni No.	Order No.
VM26	4/042 #190	M28/1001 #22.5	#332 0-0	#5E75	VM24/361 1.5	Fixed	VM26/26-2.5	22-24mm	VM26-606	001-021

MIKUNI VM Spigot Mount Type Exploded View



Mikuni VM Series Carburetors are intended for off-road riding and racing use only. Not legal for use in California or other locations where similar pollution laws may apply. **Note:** VM Series Standard Jetting Specifications and Float Height are listed on Page 117.

VM Series Round Slide Single Carburetor Dimensions

Size (mm)	A	B	C	D	Total Width	Throttle Adjust Position	Air Screw Position	Weight (g)	Throttle Valve Material
VM16 Clamp-On	21 ID	67	95	28	61	Left	Left		Aluminum
VM18-Clamp-On	22 ID	67	108	32	61	Left	Left	492	Aluminum
VM20 Flange	50.8 Bolt Center	66	115	43	76.5	Left	Left	546	Aluminum
VM22 Flange	49 Bolt Center	85	114	43	82	Left	Left		Aluminum
VM24 Spigot						Right	Left		Aluminum
VM26 Spigot	35	93	122	44	82	Left	Right	550	Brass
VM30 Spigot	40	93	137	59	83	Left	Right	800	Brass
VM32 Spigot Left Idle	40	102	142	58	83	Left	Right	770	Brass
VM32 Spigot Right Idle	40	102	142	58	83	Right			
VM34 Spigot Left Idle	40	93	137	58	83	Left	Right	750	Brass
VM34 Spigot Right Idle	40	93	137	58	83	Right			Brass
VM36 Spigot	43	116	152	62	79	Left	Right	750	Brass
VM38 Spigot	43	116	154	62	79	Right	Right	830	Brass
VM44 Spigot	52	116	193	70	79	Left	Right	1104	Brass

VM Replacement Parts

• Lined through part numbers are no longer available.

Please note: VM26-606 carburetor (with side choke) parts are listed on page 119.

No.	Description & Application	Mikuni No.	Order No.
1.	Rubber Cap, Throttle Cable All Mikuni VM Series Carbs for 45° angled cable adjuster	VM26/46 VM22/18	002-061 002-370
2.	"A" Cable Adjuster All Mikuni VM Series Carbs (6mm)	M21/14	002-062
	All Mikuni VM Series Carbs (7mm)	VM28/256	002-063
	"B" Cable Adjuster, Angled 45° All Mikuni VM Series Carbs	I-M22-10-3	002-064
3.	Locknut, Cable Adjuster All Mikuni VM Series Carbs	B30/247	002-065
4.	Top, Mixing Chamber VM26 - VM28 spigot	VM26/56	002-236
	VM30 small body spigot	VM26/51	002-235
	VM30 - VM34 spigot	VM34/27	002-066
	VM36 - VM38 spigot	VM36/09	002-067
	VM40 - VM44 spigot	VM44/05	002-068
5.	Gasket, Mixing Top Gasket comes with each VM Mixing Chamber Top.		
6.	Spring, Throttle Valve VM22 Flange, VM28 spigot	VM24/195	002-069
	VM26	VM28/58	002-071
	VM30 spigot (std)	VM34/50	002-072
	VM32 - VM34 flange (std)	VM34/50	002-072
	VM32 - VM38 (std)	VM34/55	002-074
	VM30 - VM36 spigot	VM28/28	002-070
	"Lighter" VM30 - VM36 spigot	VM34/06	002-073
	"Lightest" VM38 spigot	VM34/152	002-138
	VM40 - VM44 spigot	VM44/13	002-075
7.	Plate, Spring Seat VM26 - VM28, VM30 flange	VM26/54	002-077
	VM26 - VM28 spigot	VM28/132	002-079
	VM30 - VM34 spigot	VM34/31	002-080
	VM32 - VM34 flange	VM34/31	002-080
	VM36 - VM38 spigot	VM35/09	002-081
	VM40 - VM44 spigot	VM44/09	002-082
8.	Clip, Needle Positioning VM26 - VM38 spigot	VM20/369	002-083
	VM40 - VM44 spigot	BS32/126	002-455
9.	Jet Needle VM18, VM20, VM22	#4 Series	Pg.128
	VM26, VM28	#5 Series	Pg.128
	VM30, VM32, VM34, VM36, VM38	#6 Series	Pg.128
	VM40, VM44	#7 Series	Pg.128
10.	Throttle Valve (Slide)		Pg.131-132
11.	Needle Jets VM18	#145 Series	_____
	VM20	#239 Series	_____
	VM22	#257 Series	_____
	VM26 (except VM26-606)	#182 Series	Pg.130
	VM28	#169 Series	Pg.130
	VM30, VM32, VM34, VM36, VM38	#159 Series	Pg.130
	VM38	#166 Series	Pg.130
	VM40, VM44	#224 Series	Pg.129
12.	Rubber, Starter Plunger VM26 - VM44 spigot	VM20/455	002-084
13.	Fitting, Starter Plunger VM30 - VM44 spigot	VM20/456	002-085
14.	Lever, Starter VM30 - VM34 Spigot	VM28/124	002-135
	VM36 - VM38 Spigot	VM32/53	002-087
	VM22 flange, VM40, VM44 Spigot	VM36/58	002-136
15.	Spring Plate, Starter Lever VM26 & VM28 spigot	VM26/09C	002-088
	VM30 - VM44 spigot	VM32/17	002-089
16.	Starter Plunger Spring VM36 & VM44 spigot	VM14SC11/89	002-090
	VM26 - VM34 flange	VM15SC6/89	002-358

VM Replacement Parts (cont.)

No.	Description & Application	Mikuni No.	Order No.
17.	Starter Plunger VM24 & VM26 flange	VM15/62	002-091
	VM26 & VM28 spigot	VM15/62	002-091
	VM30 - VM34 flange	VM18/144	002-092
	VM30 - VM34 spigot	VM18/144	002-092



Lever Type Starter System

Includes parts 12. thru 17. from exploded view.

For VM30 - VM34

002-350B

For VM36 - VM44

002-350A



Pull-Up Type Starter System

Includes parts A. thru F. listed below.

	VM30-VM44 spigot		002-352
A.	Rubber Cap	VM20/455	002-084
B.	Clip	VM14SC11/99	002-096
C.	Starter Plunger Fitting	VM20/300	002-097
D.	Starter Plunger Spring	VM14SC11/89	002-090
E.	Starter Plunger	VM38/06	002-098



Cable Type Starter System

Includes parts A. thru F. listed below.

	For VM20, VM26-606, VM26-8074, and VM28/418 (TM28)		002-353
	VM30-VM44 spigot	MK-412	002-351
A.	Starter Plunger Top, Rubber Cap	VM26/46	002-061
B.	Cable Adjuster	M21/14	002-062
C.	Cable Adjuster Locknut	B30/247	002-065
D.	Starter Plunger Fitting	VM15/37	002-093
E.	Starter Plunger Spring	VM32/69	002-094
F.	Starter Plunger VM20, VM26	VM15SC4/85	002-095
	Starter Plunger VM30 - VM44	VM15SC4/86	007-751

Mixing Chamber Body

18.	Float Bowl Gasket VM20 flange	VM20/492	007-250
	VM22 & VM26 - VM34 flange	VM30/103	002-099
	VM28 spigot	VM28/129	002-361
	VM30mm small body	VM30/172	002-103
	VM30 - VM34mm spigot (without baffle plate)	VM34/30	002-100
	VM30 - VM34mm spigot (with baffle plate)	VM34/30	002-100
	VM36 - VM44mm spigot	VM36/20	002-102
20.	Float Bowl Baffle Plate VM26 - VM34 spigot	VM34/72	002-104
	VM30 - VM34 spigot (replacement)	VM34/114	002-362
	VM36 - VM38 spigot	VM36/16	002-105
	VM40 - VM44 spigot	VM44/12	002-106

VM Replacement Parts (continued from Pg.120)

No.	Description & Application	Mikuni No.	Order No.
21.	Pilot Jet VM18 - VM44 VM20 Flange	VM22/210 VM28/1001	Pg.135 Pg.135
22.	Float Arm Hinge Pin VM26 - VM28 spigot VM24 - VM34 flange VM30 - VM44 spigot	BV26/22 BV26/22 VM30/160	002-107 002-107 002-605
23.	Float Arm VM26 - VM34 flange VM26 - VM28 spigot VM30 small body VM30 -VM34 spigot VM30 -VM34 spigot VM36 -VM44 spigot	VM28/59 VM28/166 VM28/166 VM34/41 VM34/73 VM36/15	002-108 002-109 002-109 002-110 002-111 002-112
24.	Float - Two basic types of float system: Independent (Type A) and Twin (Type B).		



A. Independent Type - Non corrosive plastic compound. Standard on VM 26 - VM44 spigot and flange type VM Carburetors
VM26 - VM28 spigot VM28/164 **002-116**
VM26 - VM28 flange VM24/236 **002-113**
VM36 - VM44 spigot VM24/236 **002-113**
VM30 - VM34 spigot VM34/36 **002-118**
with baffle plate VM34/61 **002-119**
VM32 flange VM32/55 **002-117**

B. Twin Type - Brass compound.



Standard on VM24 - VM26 flange type carburetors
VM24 - VM26 flange VM24/171 **002-114**

B. Twin Type - Non corrosive plastic compound.



Standard on VM20-273 flange carburetor.
VM20 flange VM20/495 **007-725**

25.	Float Bowl VM30 - VM34 spigot with overflow VM36 - VM38 spigot VM40 - VM44 spigot	VM34/68 VM36/07 VM44/04	002-121 002-122 002-120
26.	Main Jet Plug Washer VM30 - VM38 spigot VM26 - VM28 spigot VM40 - VM44 spigot Main Jet Plug O-Ring	4/053 VM28/134 VM28/134 VM28/254	002-127 002-128 002-128 002-531

VM Replacement Parts (cont.)

No.	Description & Application	Mikuni No.	Order No.
27.	Main Jet Plug (Drain Plug) VM26 - VM28 spigot VM40 - VM44 spigot VM30 - VM34 spigot (brass) VM36 spigot VM30 small body spigot VM38 spigot (brass deep type plug) VM30 - VM34 spigot (brass deep type plug)	VM28/133 VM28/133 VM34/42 VM28/253 VM26/160 VM38/08 VM38/08	002-130 002-130 002-131 002-526 002-133 002-134 002-134
28.	Air Jet VM26 - VM44 spigot	BS30/97	Pg.136
29.	Air Adjusting Screw VM26 - VM44 spigot VM24 - VM34 flange	VM20/214 VM20/214	002-180 002-180
30.	Air Adjusting Screw Spring VM26 - VM44 spigot	M12F/46A	002-181
31.	Idle Adjusting Screw Spring VM26 - VM44 spigot VM24 - VM34 flange	M20/221 M20/221	002-182 002-182
32.	Idle Adjusting Screw VM30 spigot VM30 flange VM36 - VM38 spigot VM26 - VM28 spigot VM32 - VM34 spigot VM40 - VM44 spigot VM24 - VM34 flange VM30 spigot small body Idle Conversion for OEM Yamaha YFS200 Blaster and YFZ350 Banshee Locknut	VM28/142 VM22/171 VM22/171 VM24/224 VM24/224 VM24/224 VM24/224 VM30/170 VM24/224 BS30/247	002-139 002-183 002-183 002-184 002-184 002-184 002-184 002-186 002-184 002-065
33.	Needle Valve Washer VM30 - VM44 spigot VM24 - VM30 flange VM26 - VM28 spigot	BS34/52-0.5 VM26/25 VM26/25	002-187 002-188 002-188
34.	Needle Valve Set (Needle Valve & Seat Assembly) All Needle Valve seats for VM series are thread-in type. See page 124 for photo and carburetor applications.		
35.	Main Jet Ring VM28, VM40 - VM44 spigot VM30 - VM38 spigot	VM28/228 VM36/17	002-201 002-202
35A.	Main Jet Washer All VM with no main jet ring VM28 spigot	VM20/169 VM15/80A	002-203 002-239
36.	Main Jet All VM	4/042	Pg.137
37.	Anchor Plate VM26 - VM28 spigot VM30 - VM44 spigot	VM15/164 VM28/79A	002-204
38.	Float Bowl Screw VM26 - VM28 spigot (4x16mm) VM30 - VM44 spigot (5x18mm)	CW2=0416 CW2=0518	002-823 002-719
39.	Main Jet Extender VM38 spigot with Needle Jet #159 Series and #166 Series	VM38/09	002-207
40.	Needle Jet Setter VM26 - VM34 flange	VM28/53	002-209
41.	Needle Jet Setter O-Ring VM22 - VM34 flange	BV32/04	002-212
42.	Banjo Bolt Washer VM22 flange VM22 - VM34 flange VM30 flange	VM26/125 VM26/124 30BIC/35	002-213 002-214 002-215
43.	Banjo Bolt VM22 - VM24 flange VM26 - VM34 flange	VM24/286 VM28/61A	002-216 002-217

Mikuni Rubber Mounting Flanges, See Page 142



VM15/172



VM26/26



VM28/163



VM38/11



VM28/511 & VM34/39

Needle Valve Assembly (No. 34. in exploded view)

Applications: VM16, VM18 Clamp-On & VM20mm Flange

Size	Application	Mikuni No.	Order No.
(1.5)		VM15/172	007-288
(2.0)		VM15/172	007-289
	Washer for Needle Valve Seat	VM15/07	007-286

Applications: VM22mm - VM30mm Flange, VM26 - VM28mm Spigot, VM30 Spigot with Small Body

Size	Application	Mikuni No.	Order No.
(1.0)		VM26/26	002-230
(1.2)		VM26/26	002-234
(1.5)		VM26/26	002-231
(2.0)		VM26/26	002-189
(2.5)		VM26/26	002-190
(2.8)		VM26/26	002-191
	Washer for Needle Valve Seat	VM26/25	002-188

Applications: VM32 - VM34mm Flange, VM32 - VM34mm Spigot

Size	Application	Mikuni No.	Order No.
(3.0)		VM34/39	002-192
(3.3)		VM34/39	002-193
(1.0)		VM28/163	002-194
(1.2)		VM28/163	002-195
(1.5)		VM28/163	002-196
(1.8)		VM28/163	002-197
(2.0)		VM28/163	002-198
(2.5)		VM28/163	002-199
	Washer for Needle Valve Seat	B34/52	002-187
(3.5)		VM38/11	002-200
(3.5)	OEM Yamaha 24X-14107-35-00	VM38/11	002-200

Applications: VM30 - VM38mm Spigot
VM30 - VM44mm Spigot - Snowmobile OEM
(with viton tip needle)

Size	Application	Mikuni No.	Order No.
(1.5)		VM28/511	002-233
(1.8)		VM28/511	002-895
(2.0)		VM28/511	002-896



Power Jet Kit

The Power Jet Kit is used on 2-stroke engine applications to improve mid-range throttle response and add additional fuel to wide open throttle running conditions. Easily installs on TM series Carburetors. (#80, #100 and #120 sized jets included)
Sold as a kit. **Order No. 002-041**



100° Cable Adjuster Assembly

Includes rubber cap, two locknuts, cable adjuster and 100° tube. Works on Keihin and Mikuni carburetor caps. **Order No. 007-729**



40° Cable Adjuster Assembly (NEW)

Includes rubber cap, two locknuts, cable adjuster and 40° tube. Works on Keihin and Mikuni carburetor caps. **Order No. 007-730**

90° Cable Adjuster Assembly (NEW)

This adjuster has threads on one end, the other end swivels. Includes rubber cap, locknut, cable adjuster and 100° tube. Works on Keihin and Mikuni carburetor caps. **Order No. 007-731**

Priming Nozzle

For oil injection. Sold each.
VM34/181 **Order No. 007-690**

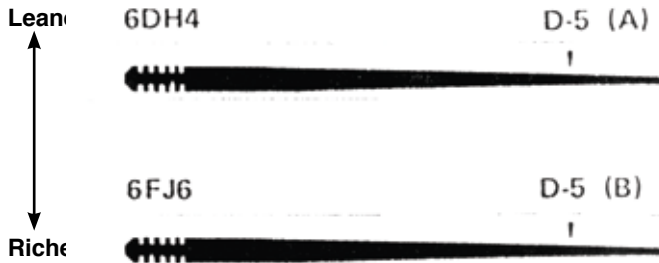


Quick Reference Chart for Needle Selection (average Performance Chart)

Note: The following listing of needles are simply the average performance of a needle between 1/4 and 3/4 throttle opening. Needles are constructed such that a given point on a needle, (for example, at 3/4 throttle opening), the needle may be found to perform richer at this given point when compared to the same given point on another needle, but according to the average performance chart, the needle should perform leaner.

For example:

Average Performance Chart



At D-5 (A), the taper diameter is 1.915, at D-5 (B), the taper is 2.040; the taper diameter at D-5 (A) is smaller than D-5 (B). At this given point of throttle opening (3/4), needle #6DH4 will run slightly richer than #6FJ6, but the average performance will still be that #6DH4 will be a leaner needle because it will perform leaner at more given points than a #6FJ6. Consequently, if you are concentrating on a specific throttle opening for competition use, be certain to check the taper diameter at that point of throttle opening.

For a more detailed and comprehensive explanation of the various needles as to their taper diameters at given points, see **NEEDLE TAPER DIAMETER DIMENSION CHARTS**.

THE QUICK REFERENCE CHART FOR NEEDLE SELECTION was prepared by measuring the needles as to their diameter at given points. Given points are 10mm apart from each other.

By computing the different measurements and arranging them in order of taper thickness or thinness, three categories for application of needles were determined.

Category I - Competition.

For example, motocross racing and desert racing where mid-range throttle operation is vital.

Category II - Racing.

For example, Road racing, where 3/4 to full throttle operation is vital.

Category III - Overall.

For example, Street riding, where the full range of throttle operation is required.

Jet Needle #4 Series

		Competition	Racing	Overall
Leaner ↑	1	#4D8	#4P3	#4P3
	2	#4DH7	#4D8	#4D8
	3	#4DG6	#4D3	#4D3
	4	#4P3	#4F10	#4DG6
	5	#4D3	#4DG6	#4DH7
	6	#4F6	#4F6	#4F10
	7	#4F10	#4DH7	#4F6
	8	#4F15	#4F15	#4F15
	9	#4E14	#4E1	#4E1
	10	#4J13	#4L13	#4L13
	11	#4L6	#4J11	#4J13
	12	#4L13	#4J13	#4J11
	Richer ↓	13	#4L11	#4L6

Jet Needle #5 Series (A)

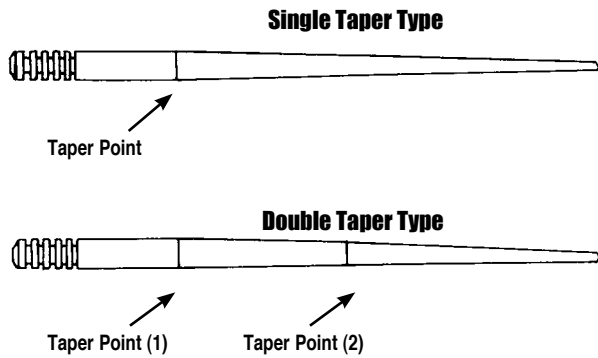
		Competition	Racing	Overall
Leaner ↑	1	#5D6	#5C4	#5C4
	2	#5D120	#5D6	#5D6
	3	#5C4	#5D5	#5D5
	4	#5EJ13	#5D120	#5D120
	5	#5J9	#5D1	#5F18
	6	#5F18	#5F18	#5D1
	7	#5DP7	#5F16	#5EJ13
	8	#5FL14	#5FJ9	#5F3
	9	#5F3	#5F3	#5EH7
	10	#5EH7	#5EJ13	#5FJ9
	11	#5FL	#5EH7	#5DP
	12	#5D5	#5DH21	#5FL14
	13	#5E13	#5FL14	#5FL7
	14	#5L1	#5FL7	#5E13
	15	#5J6	#5E13	#5F16
	16	#5D1	#5DP7	#5DH21
	17	#5F9	#5J9	#5J9
	18	#5F16	#5J6	#5J6
	19	#5DH21	#5L1	#5L1
	Richer ↓	20	#5F12	#5F12

Jet Needle #5 Series (B)

		Competition	Racing	Overall
Leaner ↑	1	#5EP8	#5DP2	#5DP2
	2	#5EJ11	#5DL13	#5DL13
	3	#5EL9	#5EJ11	#5EJ11
	4	#5EL9	#5EJ11	#5EJ11
	5	#514	#5EP8	#5EP8
	6	#5DL13	#5FL11	#5FL11
	Richer ↓	7	#5DP2	#514



Two Types of needles



Jet Needles

The Jet Needle controls the fuel mixture in the mid-range (1/4-3/4) throttle position. The taper of the needle determines the amount of fuel. For example, the thinner the diameter of the needle, the more fuel will be drawn. The thicker the diameter of the needle, the less fuel will be drawn.

Needle Taper Diameter Dimension Chart

D-1 through D-5 indicates diameter (mm) at each point.

	A	B	D-1	D-2	D-3	D-4	D-5
#4E1	50.3	28.0	2.515	2.515	2.345	2.127	1.924
#4DH7	50.3	23.0	2.518	2.518	2.386	2.098	1.790
#4J13	50.2	24.0	2.513	2.513	2.230	1.800	1.40
#4L6	50.3	24.5	2.515	2.515	2.178	1.660	1.190

D-1 through D-6 indicates diameter (mm) at each point.

	A	B	D-1	D-2	D-3	D-4	D-5	D-6
#5F3	58.0	27.4	2.519	2.519	2.419	2.135	1.863	
#5EJ11	60.3	28.5	2.515	2.515	2.515	2.241	1.839	1.420
#5FL11	60.3	28.2	2.518	2.518	2.438	2.175	1.740	1.256
#5FL14	58.0	28.0	2.520	1.520	2.440	2.170	1.735	
#5FL7	58.0	28.0	2.518	2.518	2.440	2.170	1.735	
#5DP7	57.6	26.4	2.512	2.512	2.440	2.259	1.580	
#5J6	58.0	27.5	2.518	2.518	2.340	1.890	1.450	
#5L1	58.0	27.0	2.518	2.518	2.330	1.811	1.297	

D-1 through D-6 indicates diameter (mm) at each point.

	A	B	C	D-1	D-2	D-3	D-4	D-5	D-6
#6F5	62.3	38.1	19.0	2.515	2.456	2.454	2.364	2.098	1.840
#6F4	62.3	32.0	19.4	2.515	2.442	2.436	2.206	1.939	1.678
#6F8	62.3	34.0	21.5	2.512	2.512	2.386	2.214	1.945	1.688

Needle Taper Diameter Dimension Chart

(a)=Needle Length (mm)

(b)=Length between points (x) and the taper point (Y)

1=10mm

2=20mm

3=30mm

4=40mm

5=50mm

D-1, -2, -3, -4, -6 are the actual taper diameters at those given points in millimeters

#Series Type

Application

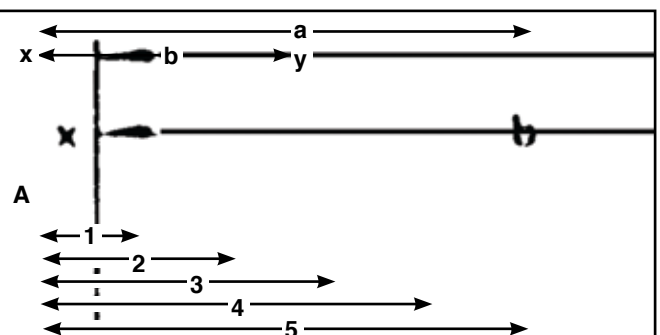
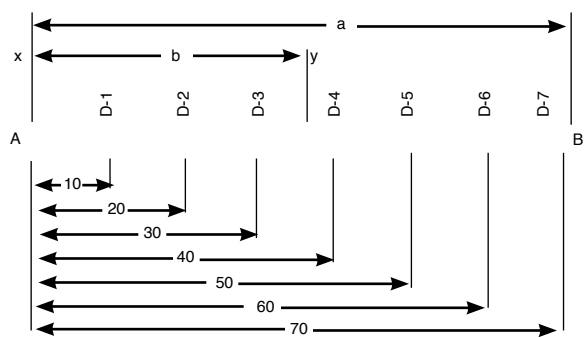
#4	All VM18 Carburetors, VM20 VM22, VM24
#5	VM26 - VM32 Spigot VM28 - VM34 Flange TM24, TM32, TM34
#6	VM30 - VM38 Spigot
#7	VM40 - VM44 Spigot
#8	HSR42, HSR45, HSR48
#9	RS34 - RS40 Smoothbore, TM36, TM40 (HS40) Pumper Carb

D-1 through D-6 indicates diameter (mm) at each point.

	A	B	D-1	D-2	D-3	D-4	D-5	D-6
#6DH2	62.3	28.0	2.511	2.511	2.466	2.295	2.000	1.660
#6F9	62.3	28.9	2.516	2.516	2.475	2.210	1.949	1.678
#6CF1	61.5	29.5	2.512	2.512	2.429	2.240	1.974	1.710
#6FJ6	62.3	35.2	2.505	2.505	2.505	2.376	2.040	1.606
#6DH3	62.3	22.0	2.512	2.512	2.458	2.286	1.948	1.607
#6L1	62.3	37.0	2.512	2.512	2.512	2.335	1.826	1.313
#6DP17	62.3	32.1	2.518	2.518	2.518	2.372	1.834	1.141
#6N1	62.3	37.0	2.514	2.514	2.514	2.278	1.672	1.058
#6DP1	62.3	28.9	2.511	2.511	2.476	2.312	1.748	1.075
#6DH4	62.3	25.5	2.520	2.520	2.440	2.258	1.915	1.575
#6DH7	62.2	28.5	2.516	2.516	2.505	2.316	2.009	1.688
#6DH8	62.2	20.3	2.538	2.538	2.436	2.208	1.827	1.497
#6FL14	62.1	26.7	2.538	2.538	2.538	2.233	1.649	1.218
#6F15	62.2	19.8	2.535	2.538	2.461	2.208	1.979	1.649
#6DP10	62.4	26.5	2.51	2.51	2.44	2.26	1.56	0.89
#6F13	64.2	32.8	2.50	2.46	2.46	2.24	1.97	1.70

D-1 through D-7 indicates diameter (mm) at each point.

	A	B	D-1	D-2	D-3	D-4	D-5	D-6	D-7
#7DH5	72.2	27.4	2.98	2.98	2.94	2.78	2.4	2.08	1.72
#7F7	72.3	33.1	2.99	2.99	2.99	2.80	2.54	2.28	2.02
#7F6	72.3	29.0	3.00	3.00	2.95	2.68	2.41	2.14	1.87
#7DH3	72.5	28.1	2.98	2.98	2.96	2.80	2.47	2.11	1.76



Jet Needles for Flat Slide Carburetors

Sold each

Applications: TM36, TM38,
39 Pro-Series, 41 Pro-Series

Jet Needle No.	Needle Diameter before Taper (mm)	Air/Fuel Ratio	Order No.
#6FJ41	2.522	Leaner	007-713
#6FM46	2.522		002-349
#6FJ40	2.522		002-712
#6DP4	2.515	Richer	002-341

Applications: Early Style Flat Slide TMX38

#6EJ12-60	2.60	Leaner	007-077
#6EJ12-59	2.59		007-076
#6EJ12-58	2.58		007-075
#6EJ12-57	2.57		007-074
#6EJ12-56	2.56		007-073
#6EJ12-55	2.55		007-072
#6EJ12-54	2.54		007-071
#6EJ12-53	2.53	Richer	007-070

Applications: Early Style Flat Slide TMX35

#6EN11-58	2.58	Leaner	007-056
#6EN11-57	2.57		007-055
#6EN11-56	2.56		007-054
#6EN11-55	2.55		007-053
#6EN11-54	2.54		007-052
#6EN11-53	2.53		007-051
#6EN11-52	2.52		007-050
#6EN11-51	2.51	Richer	007-049

Applications: TMS38-77, 78 (125cc)

#6GDY12-59	2.59	Leaner	007-088
#6GDY12-58	2.58		007-087
#6GDY12-57	2.57		007-086
#6GDY12-56	2.56	Richer	007-085

Applications: TMS38-77, 78 (250cc)

#6DGY04-60	2.60	Leaner	007-048
#6DGY04-59	2.59		007-047
#6DGY04-58	2.58		007-046
#6DGY04-57	2.57		007-045
#6DGY04-56	2.56		007-044
#6DGY04-55	2.55		007-043
#6DGY04-54	2.54	Richer	007-042

Applications: RS34, RS36 Smoothbore

#9DZH01 (Std)	2.50	Leaner	007-035
#9DZH03	2.49		007-037
#9DZH04	2.48	Richer	007-038

Applications: RS38, RS40 Smoothbore

#9CHY03 (Std)	2.99	Leaner	007-020
#9CHY05	2.98		007-022
#9CHY06	2.97	Richer	007-023

Jet Needles for Flat Slide Carburetors

Sold each

Applications: HSR42

Jet Needle No.	Needle Diameter before Taper (mm)	Air/Fuel Ratio	Order No.
#8DDY01-98	2.98	Leaner	007-083
#8DDY01-97 (Std)	2.97		007-082
#8DDY01-96	2.96		007-081
#8DDY01-95	2.95	Richer	007-080

Applications: HSR45

#8CFY02-98	2.98	Leaner	007-103
#8CFY02-97 (Std)	2.97		007-102
#8CFY02-96	2.96		007-101
#8CFY02-95	2.95	Richer	007-100

Applications: HSR48

#8CFY15-98	2.98	Leaner	007-098
#8CFY15-97 (Std)	2.97		007-097
#8CFY15-96	2.96		007-096
#8CFY15-95	2.95	Richer	007-095

Applications: TM36-68 Pumper Carb

#9DZH06-50 (Std)	2.50		007-109
------------------	------	--	---------

#9EBY01-51	2.51	Leaner	007-106
#9EBY01-50	2.50	Richer	007-105

When using these Jet Needles 007-105 & 007-106, the use of a larger pilot jet may be required.

Applications: HS40 (TM40-6) Pumper Carb

#9DJY04	2.98	Leaner	007-018
#9DJY01 (Std)	2.97		007-015
#9DJY03	2.96		007-017
#9DJY02	2.95	Richer	007-016

Jet Needle E-Ring (Clip)

Application	Mikuni No.	Order No.
RS34-RS36	VM20/369	002-083
RS38-RS40	BS32/126	002-455
HS40, TM36, TM40	BS32/126	002-455
All HSR42/45/48	BS32/126	002-455
TMS38	BS32/126	002-455
TMX35, TMX38	BS32/126	002-455



Photo courtesy of Bonneville Performance
#35 Kyle Ragsdale

Jet Needles for VM, TM, and RS

Sold each.

#4 Series: VM18, VM20, VM22, VM24 Flange

Mikuni No.	Order No.	Application, Std.
#4D10	002-243	
#4D20	002-244	VM22-133 (Std.)
#4DH7	002-245	Suzuki GT380 74-77
#4DH11	002-246	
#4DH22	002-247	
#4EJ4	002-251	Kawasaki S2-350, S3-400
#4F15	002-254	
#4J11	002-256	
#4J13	002-257	VM20-273 (Std.)
#4L6	002-258	

#5 Series: VM26 - VM32 Spigot

VM28 - VM34 Flange, TM24, TM32, TM34

Mikuni No.	Order No.	Application, Std.
#5DI20	002-267	
#5DL31	002-268	
#5DP7	002-271	
#5DP10	002-272	
#5DP39	002-273	VM28-418 (TM28) (Std.)
#5E75	007-005	VM26-606 Side Choke (Std.)
#5EL9	002-279	
#5EP6	002-280	
#5F3	002-281	
#5F12	002-283	
#5F21	002-287	VM26-8074 (Std.)
#5FL14	002-291	
#5FP8	002-292	
#5FP17	007-001	TM32-1 (Std.) TM34-2 (Std.)
#5J11	007-003	
#5L1	002-297	Yamaha RD400 76-78
#5N13	007-002	TM24-8001 (Std.)

#5 Series: TM33-8012 Pumper Carb

#5FP96	007-004	TM33-8012 (Std.)
#5FP96	007-004	DR350 (90-99) w/TM33



Sudco Carburetor Needle Shims

Sold 12 piece package.

Description	Dimensions - Inside, Outside, Thickness	Order No.
Most Keihin	.126" I.D. x .275" O.D. x .020" (5mm) thick	009-396
Most Mikuni	.106" I.D. x .250" O.D. x .020" (5mm) thick	009-395

Jet Needles for VM, TM, and RS

Sold each.

#6 Series: VM30 - VM38 Spigot

Mikuni No.	Order No.	Application, Std.
#6DH2	002-299	
#6DH3	002-300	
#6DH4	002-301	VM34-168, VM34-275, (Std.)
#6DH7	002-302	
#6DH8	002-303	
#6DJ30	002-340	
#6DP1	002-304	VM38-9 (Std.)
#6DP4*	002-341	
#6DP17	002-309	VM32-193, VM32-33 (Std.)
#6F4	002-312	
#6F5	002-313	VM30-83 (Std.)
#6F8	002-314	
#6F9	002-315	
#6F13	002-316	
#6F15	002-317	
#6F16	002-318	
#6F21	002-319	
#6FJ6	002-321	VM36-4 (Std.)
#6FJ40*	002-712	TM36-2 (Std.)
#6FJ41*	002-713	TM38-85, TM38-86 (Std.)
#6FJ41*	002-713	TM39/TM41 Pro (Std.)
#6FL14	002-324	
#6FL25	002-344	
#6J1	002-325	
#6L1	002-327	
#6FM46*	002-349	
#6N1	002-328	

* For TM36, TM38, TM39/TM41 Pro-Series.

#7 Series: VM40 - VM44 Spigot

Mikuni No.	Order No.	Application, Std.
#7DH2	002-332	
#7DH3	002-336	
#7DH5	002-345	
#7E1	002-334	
#7F6	002-329	
#7F7	002-333	VM44-3 (Std.)

#9 Series: RS34, RS36 Smoothbore

Mikuni No.	Order No.	Application, Std.
#9DZH01	007-035	
#9DZH03	007-037	
#9DZH04	007-038	

#9 Series - RS38, RS40 Smoothbore

Mikuni No.	Order No.	Application, Std.
#9CHY03	007-020	
#9CHY05	007-022	
#9CHY06	007-023	

Jet Needle E-Ring (Clip)

Application	Mikuni No.	Order No.
HS40, TM36, TM40	BS32/126	002-455
HSR42/45/48	BS32/126	002-455
RS34-RS36	VM20/369	002-083
RS38-RS40	BS32/126	002-455
TM24 - TM38	VM20/369	002-083
TM33 Pumper	VM20/369	002-083
VM18 clamp-on	VM20/369	002-083
VM26 - VM38	VM20/369	002-083
VM29 Smoothbore	BS32/126	002-083
VM33 Smoothbore	VM20/369	002-083
VM40 - VM44 spigot	BS32/126	002-455

Primary Type



"P"
Primary Choke Type

Bleed Type



"B"
Bleed Type

Two Basic Types of Needle Jets

Needle Jets

The needle jet is the main fuel passage to the main bore (venturi) of the Mikuni carburetor. Depending on the inside diameter of a specific needle jet, this will also effect the function of the needle. Therefore, needle jets and jet needles act together as the main system in controlling the amount and mixture of the fuel which is drawn in mid-range (1/4 - 3/4) throttle operation.

On the following application chart, it is noted that certain needle jets require a specific type of main jet because there are two types of main jets (4/042 Large Hex & N100.604 Large Round) that have different fuel flow rate characteristics. Also, needle jets are available not only in types, but series and sizes. Mikuni series numbers for style of the needle jet. There sizes (inside diameter size) within each series are listed according to a letter-number combination. The letter shows the inside diameter size in increments of .50mm.

For example, the difference between P-2 and Q-2 is that the inside diameter of needle jet size Q-2 is .0050mm greater than P-2.

The number shows the inside diameter size in increments of .0010mm. For example, the difference between P-2 and P-4 is that the inside diameter of needle jet size P-4 is .0010mm greater than P-2.

Exception: (-5) is measured as an increment increase of .005mm. For example, the difference between P-4 and P-5 is that the inside diameter of needle jet size P-5 is .005mm greater than P-4.

Needle Jet Orifice Diameters

Size	-0	-1	-2	-3	-4	-5	-6	-7	-8	-9
N	2.550	2.555	2.560	2.565	2.570	2.575	2.580	2.585	2.590	2.595
O	2.600	2.605	2.610	2.616	2.620	2.625	2.630	2.635	2.640	2.645
P	2.650	2.655	2.660	2.665	2.670	2.675	2.680	2.686	2.690	2.695
Q	2.700	2.705	2.710	2.715	2.720	2.725	2.730	2.735	2.740	2.745

Needle Jets

Lean to Rich Chart

Size

- N-0
- N-2
- N-4
- N-6
- N-8
- O-0
- O-2
- O-4
- O-5
- O-6
- O-8
- P-0
- P-2
- P-4
- P-5
- P-6
- P-8
- Q-0
- Q-2
- Q-4
- Q-5
- Q-6
- Q-8
- R-0
- R-2
- R-4
- R-6

Lean



Rich

224 Series Needle Jet

Note: Letters Z, AA, BB and CC are sizes in increments of .050mm. Numbers 0 and 5 are sizes in increments of .025mm.

Size	#224 (VM44/10) Series	Lean
Z-0	003-495	↑
Z-5	003-496	
AA-0	003-497	↑
AA-5	003-498	
BB-0	003-499	↑
BB-5	003-500	
CC-0	003-501	↓
CC-5	003-502	
		Rich

723 Series Needle Jet

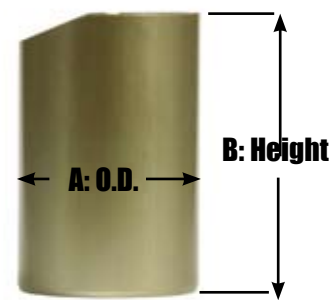
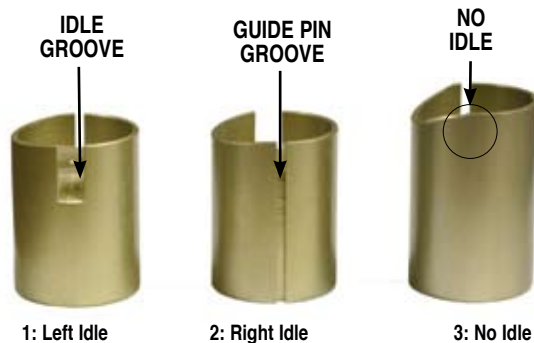
Size	723 Series	Lean
Y-2	003-685	↑
Y-4	003-686	
Y-6	003-687	↑
Y-8	003-688	
Z-0	003-689	Rich

Needle Jet Series

Series	Size	Type	Carb Application
159	N-4 thru R-8	P	VM30 - VM36mm Spigot
166(=480)	O-0 thru R-8	P	VM38mm Spigot
169(=172)	O-0 thru R-8	P	VM28 - VM30mm small body
171	N-0 thru Q-8	P	VM30mm Flange
175	N-0 thru Q-8	B	VM28mm Spigot, TM28 Flat
176(=270)	N-0 thru Q-8	B	VM30 - VM36mm Spigot
182	N-0 thru Q-8	B	VM26mm Spigot
183	N-0 thru Q-8	B	
188	O-2 thru P-8	B	VM32 Flange, Kawasaki
192	N-0 thru Q-8	B	VM26 Flange
193	N-0 thru Q-8	B	VM24 Flange
196	O-0 thru Q-5	B	
205	O-0 thru Q8	P	VM34mm Flange
211	N-0 thru Q-8	B	Kawasaki KR250/350/750
224	Z-0 thru CC-5	B	VM40 - VM44mm Spigot
247	P & Q only	P	Yamaha early YZ250, YZ400, IT400
247	P-0 thru R-8	P	
258	O & P only	B	Kawasaki KZ650/1000 w/VM carbs, Suzuki DR, SP, GS550,GS750/850 Yamaha SR500, TT500, XT500
258	O-0 thru P-8	B	
261	O-2 thru P-8	B	VM29 & VM33 Smoothbore
332	O-0 only		VM26-606 with side choke, Flange
389	Q-0 thru R-8	P	TM32, 34, 36, 38, 41 Pro & Flat Slide
454	P-8 thru Q-0		TM24 Flat Slide
499	P-2 thru Q-4	B	TM33 Flat Slide
568	O-6 thru P-8	P	RS34, RS36, TM36
568	Y-O thru Z-6	P	RS38 - RS40, HS40, TM40
633	S-4 thru S-9	P	OEM TMX (Late Style)
640	P-4 thru Q-2		TM33-8012 Flat Slide, Pumper
723	Y-2 thru Z-0		HSR42-48 Roller Flat Slide

Note: 633 Series not shown in chart, see page 116.

Size	159 Series	166(=480) Series	169(=172) Series	171 Series	175 Series	176(=270) Series	182 Series	183 Series	188 Series	192 Series	193 Series	
N-0			003-249	003-271		003-324	003-352	003-372				Lean ↑
N-2			003-250	003-272		003-325	003-353	003-373				
N-4	003-200		003-251	003-273				003-374				
N-6			003-252	003-274			003-355	003-375				
N-8	003-202		003-253	003-275			003-356	003-376			003-428	
O-0	003-203	003-227	003-254	003-276		003-329	003-357	003-377				
O-2	003-204	003-228	003-255	003-277		003-330	003-358	003-378	003-394	003-413		
O-4	003-205	003-229	003-256	003-278	003-306	003-331	003-359	003-379	003-395			
O-5	003-543	003-545	003-257									
O-6	003-206	003-230	003-258		003-307	003-333		003-381			003-432	
O-8	003-207	003-231	003-259	003-280	003-308	003-334	003-361	003-382	003-398		003-433	
P-0	003-208	003-232	003-260	003-281	003-309		003-362	003-383	003-399	003-419	003-434	
P-2	003-209	003-233	003-261	003-282	003-310	003-336	003-363	003-384		003-420	003-435	
P-4	003-210	003-234	003-262	003-283	003-311	003-337		003-385		003-421	003-436	
P-5	003-211	003-235	003-263		003-312							
P-6	003-212	003-236	003-264	003-284	003-313	003-339	003-365	003-386		003-422	003-437	
P-8	003-213	003-237	003-265	003-285	003-314	003-340	003-366	003-387	003-404	003-423	003-438	
Q-0	003-214	003-238	003-266	003-286	003-315		003-367	003-388				
Q-2	003-215	003-239	003-267	003-287			003-368	003-389				
Q-4	003-216	003-240	003-268	003-288			003-369	003-390				
Q-5	003-217	003-546	003-547									
Q-6	003-218	003-241	003-269	003-289			003-370	003-391				
Q-8	003-219	003-242	003-270	003-290			003-371	003-392				
R-0	003-220	003-243		003-291								
R-2	003-221	003-244										
R-4	003-223	003-245										
R-5	003-224	003-246										
R-6	003-225	003-247										
R-8	003-226	003-248										
												Rich ↓
Size	196 Series	205 Series	211 Series	247 Series	258 Series	261 Series	389 Series	454 Series	499 Series	568 Series	640 Series	
N-0			003-474									Lean ↑
N-2			003-475									
N-4			003-476									
N-6			003-477									
N-8			003-478									
O-0	003-439	003-457	003-479		003-522		003-570					
O-2	003-440	003-458	003-480		003-523		003-571					
O-4	003-441	003-459	003-481		003-524	003-534	003-572					
O-5	003-442	003-460										
O-6	003-443	003-461	003-482		003-525	003-535	003-573			003-650		
O-8		003-462	003-483		003-526	003-536	003-574			003-651		
P-0		003-463	003-484	003-510	003-527	003-537	003-575			003-652		
P-2			003-485	003-511	003-528	003-538	003-576		003-606	003-653		
P-4		003-465	003-486	003-512	003-529	003-539	003-577			003-654	003-698	
P-5	003-448			003-513								
P-6		003-466	003-487	003-514	003-530		003-578			003-655	003-699	
P-8	003-450	003-467	003-488	003-515	003-531	003-549	003-579	003-679	003-609	003-656	003-700	
Q-0	003-451	003-468	003-489	003-516			003-580	003-680	003-610		003-701	
Q-2	003-452	003-469	003-490	003-517			003-581		003-611		003-702	
Q-4		003-470	003-491	003-518			003-582		003-612			
Q-5	003-454	003-471		003-519								
Q-6		003-472	003-492	003-520			003-583					
Q-8		003-473	003-493	003-521			003-584					
R-0				003-553			003-585					
R-2				003-554			003-586					
R-4				003-555			003-587					
R-5												
R-6				003-556			003-588					
R-8				003-557			003-589					
Y-0										003-663		
Y-2										003-664		
Y-4										003-665		
Y-6										003-666		
Y-8										003-667		
Z-0										003-668		
Z-2										003-669		
Z-4										003-670		
Z-6										003-671		
												Rich ↓



Throttle Valve (Slides)

The Throttle Valve (slide) affects the air-fuel mixture ratio between 1/8 and 1/2 throttle, and especially between 1/8 and 1/4 throttle. Throttle Valves come in various sizes called cutaway. The larger the cutaway (size), the leaner the fuel mixture. The smaller the cutaway (size), the richer the mixture. Throttle Valves are sold each.

Application	Cutaway	Composition (material)	Idle Groove Position	Guide Pin Position	Guide Pin Groove Type	Dimension	G. Grv. Width	Mikuni No.	Order No.
VM26 & VM28 Spigot	1.0	Brass	Left	Right	Narrow	A=30mm, B=33.5mm	2.05	VM28/56	003-009
VM26 & VM28 Spigot	1.5	Brass	Left	Right	Narrow	A=30mm, B=33.5mm	2.05	VM28/56	003-010
VM26 & VM28 Spigot	2.0	Brass	Left	Right	Narrow	A=30mm, B=33.5mm	2.05	VM28/56	003-011
VM26 & VM28 Spigot	2.5	Brass	Left	Right	Narrow	A=30mm, B=33.5mm	2.05	VM28/56	003-012
VM28 Clamp-On	2.0	Aluminum	Left	Right	Narrow	A=31.5mm, B=40.5mm	2.05	VM28/19	003-022
VM28 Clamp-On	3.5	Aluminum	Left	Right	Narrow	A=31.5mm, B=40.5mm	2.05	VM28/19	003-025
VM28 Clamp-On and: VM24 & VM30 Flange	0.5	Aluminum	Left	Right	Narrow	A=31.5mm, B=40.5mm	2.05	VM28/80	003-026
VM24 & VM30 Flange	1.0	Aluminum	Left	Right	Narrow	A=31.5mm, B=40.5mm	2.05	VM28/80	003-027
VM24 & VM30 Flange	2.0	Aluminum	Left	Right	Narrow	A=31.5mm, B=40.5mm	2.05	VM28/80	003-029
VM24 & VM30 Flange	2.5	Aluminum	Left	Right	Narrow	A=31.5mm, B=40.5mm	2.05	VM28/80	003-030
VM24 & VM30 Flange	3.5	Aluminum	Left	Right	Narrow	A=31.5mm, B=40.5mm	2.05	VM28/80	003-032
VM28 Clamp-On and: VM28 & VM30 Flange	0.5	Aluminum	Right	Left	Narrow	A=31.5mm, B=40.5mm	2.05	VM28/81	003-033
VM28 & VM30 Flange	1.0	Aluminum	Right	Left	Narrow	A=31.5mm, B=40.5mm	2.05	VM28/81	003-034
VM28 & VM30 Flange	1.5	Aluminum	Right	Left	Narrow	A=31.5mm, B=40.5mm	2.05	VM28/81	003-035
VM28 & VM30 Flange	2.0	Aluminum	Right	Left	Narrow	A=31.5mm, B=40.5mm	2.05	VM28/81	003-036
VM28 & VM30 Flange	3.0	Aluminum	Right	Left	Narrow	A=31.5mm, B=40.5mm	2.05	VM28/81	003-038
VM28 & VM30 Flange	3.5	Aluminum	Right	Left	Narrow	A=31.5mm, B=40.5mm	2.05	VM28/81	003-039
VM24 & VM30 Flange	1.5	Aluminum	—	Right	Narrow	A=31.5mm, B=48.05mm	2.05	VM28/90	003-040
VM24 & VM30 Flange	3.0	Aluminum	—	Right	Narrow	A=31.5mm, B=48.05mm	2.05	VM28/90	003-044
Kaw. Z1/A-900 (73-74)	1.0	Aluminum	—	Right	Narrow	A=31.5mm, B=48.05mm	1.98	VM28/210	003-052
Kaw. Z1/A-900 (73-74)	2.5	Aluminum	—	Right	Narrow	A=31.5mm, B=48.05mm	1.98	VM28/210	003-055
Kaw. Z1/A-900 (73-74)	3.0	Aluminum	—	Right	Narrow	A=31.5mm, B=48.05mm	1.98	VM28/210	003-056
Kaw. KZ900 (76-77) and: Kaw. Z1B-900 (1975)	1.0	Aluminum	—	Right	Narrow	A=31.5mm, B=47.5mm	1.98	VM28/490	003-057
Kaw. Z1B-900 (1975)	1.5	Aluminum	—	Right	Narrow	A=31.5mm, B=47.5mm	1.98	VM28/490	003-058
Kaw. Z1B-900 (1975)	2.0	Aluminum	—	Right	Narrow	A=31.5mm, B=47.5mm	1.98	VM28/490	003-059
Kaw. Z1B-900 (1975)	2.5	Aluminum	—	Right	Narrow	A=31.5mm, B=47.5mm	1.98	VM28/490	003-060
VM28 Clamp-On and: VM28 & VM30 Flange	2.5	Brass	Left	Right	Narrow	A=31.5mm, B=40.5mm	2.05	VM30/120	003-063
VM28 & VM30 Flange	3.5	Brass	Left	Right	Narrow	A=31.5mm, B=40.5mm	2.05	VM30/120	003-172
VM32, VM34 Flange and: VM30, 32, 34 Spigot	1.0	Aluminum	—	Right	Narrow	A=35.5mm, B=37.5mm	2.05	VM32/06	003-065
VM30, 32, 34 Spigot	1.5	Aluminum	—	Right	Narrow	A=35.5mm, B=37.5mm	2.05	VM32/06	003-066
VM32, VM34 Flange and: VM30, 32, 34 Spigot	0.5	Aluminum	Left	Right	Narrow	A=35.5mm, B=40.5mm	2.05	VM32/22	003-070
VM30, 32, 34 Spigot	3.0	Aluminum	Left	Right	Narrow	A=35.5mm, B=40.5mm	2.05	VM32/22	003-075
VM32, VM34 Flange and: VM30, 32, 34 Spigot	3.0	Aluminum	Right	Left	Narrow	A=35.5mm, B=40.5mm	2.05	VM32/23	003-082

SUDCO **MIKUNI** VM Roundslide Throttle Valves

Application	Cutaway	Composition (material)	Idle Groove Position	Guide Pin Position	Guide Pin Groove Type	Dimension	G. Grv. Width	Mikuni No.	Order No.	
VM30, 32, 34 Spigot	2.0	Brass	Right	Left	Wide	A=35.5mm, B=40mm	2.60	VM32/65	003-084	Exhaust
VM30, 32, 34 Spigot	2.5	Brass	Right	Left	Wide	A=35.5mm, B=40mm	2.60	VM32/65	003-085	
VM30, 32, 34 Spigot	3.0	Brass	Right	Left	Wide	A=35.5mm, B=40mm	2.60	VM32/65	003-086	
VM30 Small Body Spigot	1.5	Brass	Left	Right	Wide	A=31.5mm, B=44.5mm	2.05	VM30/176	003-088	Chemicals
VM30 Small Body Spigot	2.0	Brass	Left	Right	Wide	A=31.5mm, B=44.5mm	2.05	VM30/176	003-089	
VM30 Small Body Spigot	2.5	Brass	Left	Right	Wide	A=31.5mm, B=44.5mm	2.05	VM30/176	003-090	
VM30 Small Body Spigot	3.0	Brass	Left	Right	Wide	A=31.5mm, B=44.5mm	2.05	VM30/176	003-091	
VM32, VM34 Flange and:										
VM30, 32, 34, Spigot	1.0	Brass	Left	Right	Wide	A=35.5mm, B=40.5mm	2.60	VM34/110	003-098	Intake
VM30, 32, 34, Spigot	1.5	Brass	Left	Right	Wide	A=35.5mm, B=40.5mm	2.60	VM34/110	003-099	
VM30, 32, 34, Spigot	2.0	Brass	Left	Right	Wide	A=35.5mm, B=40.5mm	2.60	VM34/110	003-100	
VM30, 32, 34, Spigot	2.5	Brass	Left	Right	Wide	A=35.5mm, B=40.5mm	2.60	VM34/110	003-101	
VM30, 32, 34, Spigot	3.0	Brass	Left	Right	Wide	A=35.5mm, B=40.5mm	2.60	VM34/110	003-102	
VM30, 32, 34, Spigot	3.5	Brass	Left	Right	Wide	A=35.5mm, B=40.5mm	2.60	VM34/110	003-103	
VM30, 32, 34, Spigot	2.0	Brass	Left	Right	Wide	A=35.5mm, B=40.5mm	2.60	VM34/354	003-177	Control
VM30, 32, 34, Spigot	2.5	Brass	Left	Right	Wide	A=35.5mm, B=40.5mm	2.60	VM34/354	003-178	
VM36 Spigot	0.5	Brass	Left	Right	Narrow	A=38mm, B=46mm	2.05	VM36/13	003-104	Suspension
VM36 Spigot	1.0	Brass	Left	Right	Narrow	A=38mm, B=46mm	2.05	VM36/13	003-105	
VM36 Spigot	1.5	Brass	Left	Right	Narrow	A=38mm, B=46mm	2.05	VM36/13	003-106	
VM36 Spigot	3.0	Brass	Left	Right	Narrow	A=38mm, B=46mm	2.05	VM36/13	003-109	
VM36 Spigot	3.5	Brass	Left	Right	Narrow	A=38mm, B=46mm	2.05	VM36/13	003-110	
VM36 Spigot	3.5	Brass	Right	Left	Narrow	A=38mm, B=46mm	2.05	VM36/18	003-116	
VM36 Spigot	3.5	Brass	Right	Left	Narrow	A=38mm, B=46mm	2.60	VM36/26	003-121	
VM36 Spigot	1.0	Brass	Left	Right	Wide	A=38mm, B=45.5mm	3.05	VM36/36	003-123	Engine
VM36 Spigot	1.5	Brass	Left	Right	Wide	A=38mm, B=45.5mm	3.05	VM36/36	003-124	
VM36 Spigot	2.0	Brass	Left	Right	Wide	A=38mm, B=45.5mm	3.05	VM36/36	003-125	
VM36 Spigot	2.5	Brass	Left	Right	Wide	A=38mm, B=45.5mm	3.05	VM36/36	003-126	
VM36 Spigot	3.0	Brass	Left	Right	Wide	A=38mm, B=45.5mm	3.05	VM36/36	003-127	
VM36 Spigot	3.5	Brass	Left	Right	Wide	A=38mm, B=45.5mm	3.05	VM36/36	003-128	
VM36 Spigot	1.0	Brass	Left	Right	Wide	A=38mm, B=45.5mm	3.05	VM36/39	003-179	Electrical
VM36 Spigot	2.5	Brass	Right	Left	Wide	A=38mm, B=45.5mm	3.05	VM36/39	003-182	
VM36 Spigot	3.0	Brass	Right	Left	Wide	A=38mm, B=45.5mm	3.05	VM36/39	003-183	
VM36 Spigot	1.5	Brass	Left	Right	Wide	A=38mm, B=46mm	3.05	VM36/113	003-199	
VM36 Spigot	2.0	Brass	Left	Right	Wide	A=38mm, B=46mm	3.05	VM36/113	003-195	
VM38 Spigot	1.0	Brass	Right	Left	Narrow	A=39.5mm, B=45mm	2.05	VM38/02	003-130	Vintage
VM38 Spigot	3.0	Brass	Right	Left	Narrow	A=39.5mm, B=45mm	2.05	VM38/02	003-186	
VM38 Spigot	3.5	Brass	Right	Left	Narrow	A=39.5mm, B=45mm	2.05	VM38/02	003-187	
VM38 Spigot	3.5	Brass	Left	Right	Narrow	A=39.5mm, B=45.5mm	2.05	VM38/10	003-140	
VM38 Spigot	0.5	Brass	Right	Left	Wide	A=39.5mm, B=45.5mm	3.05	VM38/22	003-188	
VM38 Spigot	1.0	Brass	Right	Left	Wide	A=39.5mm, B=45.5mm	3.05	VM38/22	003-189	
VM38 Spigot	1.5	Brass	Right	Left	Wide	A=39.5mm, B=45.5mm	3.05	VM38/22	003-190	
VM38 Spigot	2.5	Brass	Right	Left	Wide	A=39.5mm, B=45.5mm	3.05	VM38/22	003-191	
VM38 Spigot	3.0	Brass	Right	Left	Wide	A=39.5mm, B=45.5mm	3.05	VM38/22	003-192	
VM38 Spigot	1.5	Brass	Right	Left	Wide	A=39.5mm, B=45mm	3.05	VM38/24	003-143	Tools
VM38 Spigot	2.0	Brass	Right	Left	Wide	A=39.5mm, B=45mm	3.05	VM38/24	003-144	
VM38 Spigot	2.5	Brass	Right	Left	Wide	A=39.5mm, B=45mm	3.05	VM38/24	003-145	
VM38 Spigot	3.0	Brass	Right	Left	Wide	A=39.5mm, B=45mm	3.05	VM38/24	003-146	
VM38 Spigot	3.5	Brass	Right	Left	Wide	A=39.5mm, B=45mm	3.05	VM38/24	003-147	Watercraft
VM38 Spigot	2.0	Brass	Left	Right	Wide	A=39.5mm, B=45mm	3.05	VM38/52	003-149	
VM38 Spigot	2.5	Brass	Left	Right	Wide	A=39.5mm, B=45mm	3.05	VM38/52	003-150	
VM38 Spigot	3.0	Brass	Left	Right	Wide	A=39.5mm, B=45mm	3.05	VM38/52	003-151	
VM38 Spigot	1.5	Aluminum	—	Right	Wide	A=39.5mm, B=45.5mm	3.05	VM38/76	003-196	
VM38 Spigot	3.0	Brass	Left	Right	Wide	A=38mm, B=46.5mm	3.05	VM38/76	003-197	
VM40 & VM44 Spigot	1.0	Aluminum	Left	Right	Wide	A=46mm, B=55.5	3.05	VM40/02	003-154	
VM40 & VM44 Spigot	1.5	Aluminum	Left	Right	Wide	A=46mm, B=55.5	3.05	VM40/02	003-155	
VM40 & VM44 Spigot	2.0	Aluminum	Left	Right	Wide	A=46mm, B=55.5	3.05	VM40/02	003-156	
VM40 & VM44 Spigot	2.5	Aluminum	Left	Right	Wide	A=46mm, B=55.5	3.05	VM40/02	003-157	
VM40 & VM44 Spigot	3.0	Aluminum	Left	Right	Wide	A=46mm, B=55.5	3.05	VM40/02	003-158	
VM40 & VM44 Spigot	1.5	Brass	Left	Right	Wide	A=46mm, B=56mm	3.05	VM44/23	003-162	
VM40 & VM44 Spigot	2.0	Brass	Left	Right	Wide	A=46mm, B=56mm	3.05	VM44/23	003-163	
VM40 & VM44 Spigot	2.5	Brass	Left	Right	Wide	A=46mm, B=56mm	3.05	VM44/23	003-164	
VM40 & VM44 Spigot	3.0	Brass	Left	Right	Wide	A=46mm, B=56mm	3.05	VM44/23	003-165	
VM40 & VM44 Spigot	3.5	Brass	Left	Right	Wide	A=46mm, B=56mm	3.05	VM44/23	003-166	

Exhaust
Chemicals
Intake
Control
Suspension
Engine
Electrical
Vintage
Tools
Watercraft

<p>VM28/511 Viton Tip VM34/39 Metal Tip</p> <p>Size: 511: 1.5, 1.8, 2.0, 2.5 Size: 39: 1.5, 2.5, 3.0, 3.3, 3.5 App: VM30-40</p>	<p>VM28/163 Metal Tip</p> <p>Size: 1.0, 1.2, 1.5, 1.8, 2.0, 2.5, 3.0 App: VM30-44</p>	<p>VM38/11 Metal Tip (6 hole)</p> <p>Size: 3.3, 3.5 App: VM30-44</p>	<p>VM26/26 Metal Tip</p> <p>Size: 1.0, 1.2, 1.5, 1.8, 2.0, 2.3, 2.5, 2.8 App: VM26, VM28 BN34, 38, 44</p>	<p>786-46001 Metal Tip</p> <p>Size: 1.2, 1.5, 1.8, 2.0, 3.0, 3.3, 3.5 App: TM32, 34, 36, 38 Flatslide</p>	<p>VM24/557 Metal Tip</p> <p>Size: 1.5, 2.0, 2.5 App: TM28 Flatslide</p>
<p>990-786-044</p> <p>Size: 3.8 App: HS40</p>	<p>786-35015 Viton Tip</p> <p>Size: 1.0, 1.5, 1.8, 2.0, 2.3, 2.5 App: Super BN/ 38, 44, 46</p>	<p>786-15005 Viton Tip</p> <p>Size: 1.5, 2.0, 2.5 App: BN34, 38, 44</p>	<p>N149.040 Metal Tip (Need O-Ring KV/10)</p> <p>Size: 2.0, 2.5, 2.8 App: RS34-40</p>	<p>VM15/172 Metal Tip</p> <p>Size: 1.2, 1.5, 1.8, 2.0 App: VM18, VM20</p>	<p>786-27001 Viton Tip</p> <p>Size: 1.5, 2.3, 3.5, 4.2 HSR42, 45, 48</p>
<p>N133.200 Viton Tip</p> <p>Size: 1.2, 1.5, 1.8, 2.0, 2.3 App: TM33, OEM Snowmobiles</p>	<p>786-35018 Viton Tip</p> <p>Size: 1.5, 2.0, 2.3, 2.5 App: BNI 46</p>	<p>786-36004-A</p> <p>Size: 1.8 App: TMX35, 38</p>	<p>786-36004</p> <p>Size: 3.5 App: TMX35, 38</p>		

Genuine Mikuni Needle Valve Assemblies

Screw-in type includes Needle Valve and Needle Seat. (washer not included) Push-in type includes Needle Valve, Needle Seat O-Ring for Needle Seat (except RS Series) and Needle Valve Clip where applicable. Made in Japan. Order by Sudco part number.

Applications: VM16, VM18 & VM20mm

Size	Application	Mikuni No.	Order No.
(1.5)	Std for VM16,18 & 20mm	VM15/172	007-288
(2.0)	Washer for Needle Valve Seat	VM15/172	007-289
	Washer for Needle Valve Seat	VM15/07	007-286

Applications: VM22mm - VM30mm Flange, VM24-512 Spigot, VM26 & VM28mm Round Spigot, VM30 Small Body Round Pump Carb BN34, BN38 & BN44mm Watercraft

Size	Application	Mikuni No.	Order No.
(1.0)		VM26/26	002-230
(1.2)		VM26/26	002-234
(1.5)		VM26/26	002-231
(2.0)		VM26/26	002-189
(2.5)		VM26/26	002-190
(2.8)		VM26/26	002-191
	Washer for Needle Valve Seat	VM26/25	002-188

Applications: VM32 & VM34mm Flange

VM32 - VM34mm Spigot

Size	Application	Mikuni No.	Order No.
(3.0)		VM34/39	002-192
(3.3)		VM34/39	002-193
(1.0)		VM28/163	002-194
(1.2)		VM28/163	002-195
(1.5)		VM28/163	002-196
(1.8)		VM28/163	002-197
(2.0)		VM28/163	002-198
(2.5)		VM28/163	002-199
	Washer for Needle Valve Seat	B34/52	002-188
(3.5)		VM38/11	002-200
(3.5)	OEM Yamaha 24X-14107-35-00	VM38/11	002-200

Applications: VM30 - VM44mm - Snowmobile OEM (with viton tip needle)

Size	Application	Mikuni No.	Order No.
(1.5)		VM28/511	002-233
(1.8)		VM28/511	002-895
(2.0)		VM28/511	002-896

Genuine Mikuni Needle Valve Assemblies (cont.)

Applications: TM24, TM28 Flat Slide

Size	Application	Mikuni No.	Order No.
(1.5)	Std on TM24	VM24/557A	002-842
(2.0)		VM24/557A	002-841
(2.5)	Std on TM28	VM24/557A	002-840
	O-Ring for Needle Valve Seat	VM24/559	002-838

Applications: TM32, TM34, TM36, TM38 Flat Slide 39 & 41 Pro (No Accelerator Pump on carburetor)

Size	Application	Mikuni No.	Order No.
(1.5)		786-46001	002-703
(1.8)		786-46001	002-702
(2.0)		786-46001	002-704
(3.0)		786-46001	002-706
(3.3)	Std on TM32, TM34, TM36	786-46001	002-705
(3.5)	Std on TM38	786-46001	002-707
	O-Ring for Needle Valve Seat	KV-10	002-709

Applications: Flatslide TMS38, Early Style TMX35, TMX38

Size	Application	Mikuni No.	Order No.
(1.8)		786-36004A	002-464
(3.5)		786-36004	002-466

Applications: TMX38-2, TMX38-5 with Oval Throttle Valve, Honda, Husqvarna, Kawasaki, Suzuki & Yamaha Later Style Oval Throttle Valve OEM TMX36, TMX38

Size	Application	Mikuni No.	Order No.
(3.3)		786-36011	007-954
(3.8)		786-36010	007-953
	O-Ring for Needle Valve Seat	KV-10	002-709

Applications: TM33 with Accelerator Pump

Suzuki OEM DR250/DR350 Offroad with Mikuni TM33 (90-99)

Size	Application	Mikuni No.	Order No.
(1.5)		N133.200	007-501
(1.8)	Std on TM33	N133.200	007-502
(2.0)		N133.200	007-503
(2.3)		N133.200	007-504
	O-Ring for Needle Valve Seat	KV-10	002-709
	Filter for Needle Valve Seat	VM18/233	002-606

Applications: HS40, TM36-68 & TM40-6

(With Accelerator Pump)

Size	Application	Mikuni No.	Order No.
(3.3)	Std on TM36-68	786-36011	007-505
(3.8)	Std on TM40-6	990-786-044	002-877
	O-Ring for Needle Valve Seat	KV-10	002-709

Applications: HSR42, HSR45 & HSR48 (with viton tip needle)

Size	Application	Mikuni No.	Order No.
(2.3)		786-27001	007-478
(3.5)		786-27001	007-477
(4.2)	Std on HSR42/45	786-27001	007-476
(4.5)	Std on HSR48	786-27002-1A	007-708
	O-ring for Needle Valve Seat	616-33003	007-470

Applications: RS34, RS36, RS38 & RS40

(O-Ring for needle valve seat not included)

Size	Application	Mikuni No.	Order No.
(2.0)		N149.040	007-143
(2.5)		N149.040	007-144
(2.8)	Std on all RS Series	N149.400	007-145
	O-Ring for Needle Valve Seat	KV-10	002-709
	Filter for Needle Valve Seat	VM18/233	002-606

Applications: VM29 & VM33 Smoothbore

Size	Application	Mikuni No.	Order No.
(2.5)		N122.032	002-503
(2.8)	Std on VM29 & VM33	N122.032	002-504
	Washer for Needle Valve Seat	BS34/52-0.5	002-187
	Filter for Needle Valve Seat	VM18/233	002-606

Applications: BN34, BN38 & BN44mm Watercraft with Round Pump Carb

Size	Application	Mikuni No.	Order No.
(1.0)		VM26/26	002-230
(1.2)		VM26/26	002-234
(1.5)		VM26/26	002-231
(2.0)		VM26/26	002-189
(2.5)		VM26/26	002-190
(2.8)		VM26/26	002-191
	Washer for Needle Valve Seat	VM26/25	002-188

Applications: BN34, BN38 & BN44mm Watercraft

Size	Application	Mikuni No.	Order No.
1.5		786-15005	002-890
2.0		786-15005	002-891
2.5		786-15005	002-892
	Washer for Needle Valve Seat	VM26/25	002-188

Applications: Super BN 38, BN44 and BN46 Watercraft Super BN38I, BN40I Watercraft

Size	Application	Mikuni No.	Order No.
1.5		786-35015	002-880
1.8		786-35015	002-884
2.0		786-35015	002-881
2.3		786-35015	002-882
2.5		786-35015	002-883
	O-Ring for Needle Valve Seat	KV-10	002-709

Applications: Super BN44I, BN46I

Size	Application	Mikuni No.	Order No.
1.5		786-35018	002-900
1.8		786-35018	002-897
2.0		786-35018	002-898
2.5		786-35018	002-899
	O-Ring for Needle Valve Seat	KV-10	002-709



Genuine Mikuni Needle Valve Seat Filter

Used on the following Mikuni carburetors: RS34, RS36, RS38 & RS40 Smoothbore, VM29, VM33 Smoothbore, TM33 Pumper and OEM push type needle valve assembly. Sold each. Needle Valve Assembly not included. **Made in Japan.**

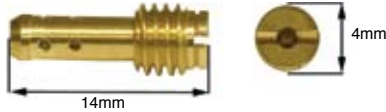
Order No. **002-606**

OEM reference for Needle Valve Seat Filter

Kawasaki 14043-1010	Late model KZ1000/1100
Suzuki 13376-19F00	GS series - GS750/1000/1100
Yamaha 1J7-14994-00-00	XS1100 Series

Replacement jets for each size are sold in quantities of 4 or more.

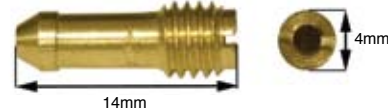
VM22/210



Applications: VM18 clamp-on, VM22 flange, VM26-8074, VM26 - VM34 flange, VM24 -VM44 spigot, TM series TM24 - TM38 (no Accelerator pump), early TMS/TMX Carburetors, OEM **Kawasaki, Suzuki, Yamaha** 2-stroke and some 4-stroke models.
Note: VM26-606 spigot, use M28/1001 pilot jets.

Size	Order No.	Size	Order No.	Size	Order No.
#10	004-000	#40	004-010	#80	004-018
#12.5	004-001	#42.5	004-733	#85	004-067
#15	004-002	#45	004-011	#90	004-068
#17.5	004-003	#47.5	004-734	#95	004-069
#20	004-004	#50	004-012	#100	004-590
#22.5	004-005	#52.5	004-735	#110	004-591
#25	004-006	#55	004-013	#120	004-592
#27.5	004-007	#57.5	004-736	#130	004-737
#30	004-008	#60	004-014	#140	004-738
#32.5	004-593	#65	004-015		
#35	004-009	#70	004-016		
#37.5	004-594	#75	004-017		

N151.067 (Non Bleed Type)



Applications: Late model OEM (BS) CV Carburetors.
Kawasaki KZ1000J/K/M/P/R, KZ1100, **Suzuki** GS1000, GS1100, **Yamaha** XS1100.

Size	Order No.	Size	Order No.	Size	Order No.
#30	004-605	#42.5	004-610	#55	004-615
#32.5	004-606	#45	004-611	#57.5	004-616
#35	004-607	#47.5	004-612	#60	004-617
#37.5	004-608	#50	004-613		
#40	004-609	#52.5	004-614		

VM28/486



Applications: HS40, HSR42/45/48, RS34 - RS40 and TM33, TM36, TM40 with accelerator pump, **Kawasaki** Z1A/B-900 (74-75), KZ900A/B (76-77), KZ1000 (77-80), **Suzuki** GS750, GS1100 (78-79), **Yamaha** TT-R125.

Size	Order No.	Size	Order No.	Size	Order No.
#10	004-556	#32.5	004-557	#55	004-560
#12.5	004-027	#35	004-035	#57.5	004-552
#15	004-028	#37.5	004-555	#60	004-561
#17.5	004-029	#40	004-036	#62.5	004-553
#20	004-030	#42.5	004-051	#65	004-562
#22.5	004-031	#45	004-037	#67.5	004-554
#25	004-032	#47.5	004-052	#70	004-563
#27.5	004-033	#50	004-038		
#30	004-034	#52.5	004-551		

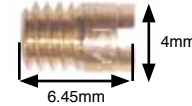
BS30/96 (Bleed Type)



Applications: **Kawasaki, Suzuki, Yamaha.** with OEM (BS) CV Carburetors.

Size	Order No.	Size	Order No.	Size	Order No.
#30	004-054	#42.5	004-559	#52.5	004-063
#32.5	004-055	#45	004-060	#55	004-064
#35	004-056	#47.5	004-061	#57.5	004-065
#37.5	004-057	#50	004-062	#60	004-066
#40	004-058				

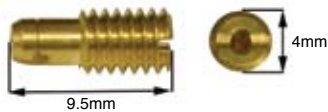
Slow Speed Jets N100/606



Applications: Slow Speed Jet on BN Personal Watercraft Carburetors. Super BN 38, BN44, BN46, BN381, BN401, BN441, BN461. Pilot Jet for **Kawasaki** KZ1300A (79-82) and Main Jet for **Yamaha** Generator (1HX).

Size	Order No.	Size	Order No.	Size	Order No.
#30	004-442	#75	004-460	#120	004-478
#32.5	004-443	#77.5	004-461	#122.5	004-479
#35	004-444	#80	004-462	#125	004-480
#37.5	004-445	#82.5	004-463	#127.5	004-481
#40	004-446	#85	004-464	#130	004-482
#42.5	004-447	#87.5	004-465	#132.5	004-483
#45	004-448	#90	004-466	#135	004-484
#47.5	004-449	#92.5	004-467	#137.5	004-485
#50	004-450	#95	004-468	#140	004-486
#52.5	004-451	#97.5	004-469	#142.5	004-487
#55	004-452	#100	004-470	#145	004-488
#57.5	004-453	#102.5	004-471	#147.5	004-489
#60	004-454	#105	004-472	#150	004-490
#62.5	004-455	#107.5	004-473	#152.5	004-493
#65	004-456	#110	004-474	#155	004-491
#67.5	004-457	#112.5	004-475	#157.5	004-494
#70	004-458	#115	004-476	#160	004-492
#72.5	004-459	#117.5	004-477		

M28/1001



Applications: VM20 flange, VM26-606 spigot. **Yamaha** RX50 Special (83-84), YSR50 (87-92), RD60 (73-74), YZ80 (75-01), DT125 (74-81), DT175 (74-81), MX175 (79-81), YFS200 Blaster (88-06), RZ350 (84-85), YFZ350 Banshee (87-06).

Size	Order No.	Size	Order No.	Size	Order No.
#15	004-039	#32.5	004-597	#50	004-046
#17.5	004-050	#35	004-043	#52.5	004-601
#20	004-040	#37.5	004-598	#55	004-047
#22.5	004-595	#40	004-044	#57.5	004-602
#25	004-041	#42.5	004-599	#65	004-049
#27.5	004-596	#45	004-045	#70	004-603
#30	004-042	#47.5	004-600		

Replacement jets for each size are sold in quantities of 4 or more.

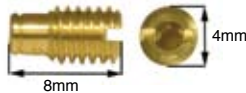
N224.103



Applications: TMS/TMX early, OEM TMX36, TMX38, OEM BSR CV
Honda CR125R (00-07), CR250R (01-07),
Kawasaki KX125 (00-05), KSF400 "KFX" (03-06),
Suzuki RM125 (00-07), LT-Z400 (03-07), **Yamaha** YZ125 (95-07),
 YFM350 Raptor (04-07), YFM660 Raptor (01-05),
 YXR660 Rhino Side x Side (04-07), YZF-R1.

Size	Order No.	Size	Order No.	Size	Order No.
#10	004-580	#32.5	004-569	#55	004-575
#12.5	004-581	#35	004-570	#57.5	004-587
#15	004-582	#37.5	004-571	#60	004-576
#17.5	004-583	#40	004-572	#62.5	004-588
#20	004-564	#42.5	004-584	#65	004-577
#22.5	004-565	#45	004-573	#67.5	004-589
#25	004-566	#47.5	004-585	#70	004-578
#27.5	004-567	#50	004-574		
#30	004-568	#52.5	004-586		

BS30/97 Air Jet



Meters the air flow through the passage to and into the needle jet. It acts as a fine tuning component in regulating the fuel-air mixture. This is especially important when a bleed type needle jet is used.
Applications: VM26 thru VM44 spigot carburetor, RS, TM, VM29/VM33 Smoothbore.

Size	Order No.	Size	Order No.	Size	Order No.
#0.0	002-149	#1.0	002-155	#1.6	002-161
#0.5	002-150	#1.1	002-156	#1.7	002-162
#0.6	002-151	#1.2	002-157	#1.8	002-163
#0.7	002-152	#1.3	002-158	#1.9	002-164
#0.8	002-153	#1.4	002-159	#2.0	002-165
#0.9	002-154	#1.5	002-160		

B42/55 Air Jet



Applications: OEM CV (BS) Carburetors, Pilot Air Jet and Main Air Jet for OEM **Suzuki** GS1000, GS1100 (80-82), OEM **Yamaha** XS1100 (80-81).

Size	Order No.	Size	Order No.	Size	Order No.
#70	004-640	#145	004-655	#210	004-668
#80	004-642	#150	004-656	#220	004-670
#90	004-644	#155	004-657	#230	004-672
#100	004-646	#160	004-658	#240	004-674
#105	004-647	#165	004-659	#250	004-676
#110	004-648	#170	004-660	#260	004-678
#115	004-649	#175	004-661	#270	004-680
#120	004-650	#180	004-662	#280	004-682
#125	004-651	#185	004-663	#290	004-684
#130	004-652	#190	004-664	#300	004-686
#135	004-653	#195	004-665		
#140	004-654	#200	004-666		

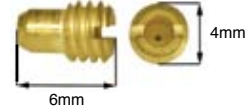
VM28/213



Applications: **Kawasaki** Z1/A-900 (73-74) with Mikuni (OEM) VM28SS Carburetors.

Size	Order No.	Size	Order No.	Size	Order No.
#15	004-019	#22.5	004-022	#35	004-025
#17.5	004-020	#25	004-023	#40	004-026
#20	004-021	#30	004-024		

Starter Jet VM17/1002

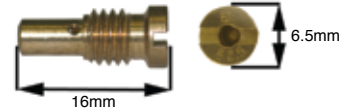


Controls enricher on TM Carburetors.

Applications: TM32 - TM38 Carburetors, RS Smoothbore.

Size	Order No.	Size	Order No.	Size	Order No.
#15	004-400	#40	004-406	#80	004-414
#20	004-402	#60	004-410	#100	004-418

N101.043



Applications: B-Type Butterfly Carb.

Size	Order No.	Size	Order No.	Size	Order No.
#30	004-501	#67.5	004-516	#105	004-531
#35	004-503	#70	004-517	#110	004-533
#37.5	004-504	#72.5	004-518	#115	004-534
#40	004-505	#75	004-519	#120	004-535
#42.5	004-506	#77.5	004-520	#125	004-536
#45	004-507	#80	004-521	#130	004-537
#47.5	004-508	#82.5	004-522	#135	004-538
#50	004-509	#85	004-523	#140	004-539
#52.5	004-510	#87.5	004-524	#145	004-540
#55	004-511	#90	004-525	#150	004-541
#57.5	004-512	#92.5	004-526	#155	004-542
#60	004-513	#95	004-527	#160	004-543
#62.5	004-514	#97.5	004-528		
#65	004-515	#100	004-529		

Sudco Plastic Storage Boxes



008-001



008-002

Two boxes available, 36 compartment and 16 compartment. Use for storing valve shims, small parts, electrical connectors and carburetor jets. Sold each.

Description	Order No.
Box with 36 compartments. 7-1/2" L x 10-1/2" L x 1-1/4" H	008-001
Box with 16 compartments. 3-1/2" L x 6-3/4" L x 1-1/2" H	008-002

Replacement jets for each size are sold in quantities of 4 or more.

Mikuni Dealer Main Jet Kits



Genuine OEM N100.604 large round main jets.
Made in Japan.

Mikuni Dealer Main Jet Kit, sizes #50 - #105.

Order No. 004-995

Kit Includes qt 4 of the following main jet sizes:
#50, #52.5, #55, #57.5, #60, #62.5, #65, #67.5, #70, #72.5, #75,
#77.5, #80, #82.5, #85, #87.5, #90, #92.5, #97.5, #100, #105.
Total jets: 88 with storage box.

Mikuni Dealer Main Jet Kit, sizes #107.5 - #160.

Order No. 004-996

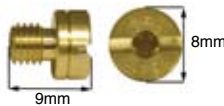
Kit Includes qt 4 of the following main jet sizes:
#107.5, #110, #112.5, #115, #117.5, #120, #122.5, #125, #127.5,
#130, #132.5, #135, #137.5, #140, #142.5, #145, #147, #150,
#152.5, #155, #157.5, #160.
Total jets: 88 with storage box.

Mikuni Dealer Main Jet Kit, sizes #162.5 - #240.

Order No. 004-997

Kit Includes qt 4 of the following main jet sizes:
#162.5, #165, #167.5, #170, #172.5, #175, #177.5, #180, #182.5,
#185, #187.5, #190, #192.5, #195, #200, #205,
#210, #220, #230, #240.
Total jets: 88 with storage box.

Large Round N100.604



Applications: VM16, HS40, HSR42/45/48, RS, TM33 Pumper, TM36, TM40, TM, VM29/VM33 Smoothbore, Needle Jet Series - 171, 188, 196 with Large Round, **Kawasaki** H1-500 (all), H2-750 (all), Z1-900, KZ900A/B, (76-77), KZ1000, KZ1100, **Suzuki** DR-Z125, GS450/G500/650/750/850/1000/1100/1150, **Yamaha** TTR125, XS350/400/750/1100 and many 2-stroke & 4-stroke Street, ATV, and Offroad.

Size	Order No.	Size	Order No.	Size	Order No.
#50	004-160	#105	004-182	#160	004-204
#52.5	004-161	#107.5	004-183	#162.5	004-205
#55	004-162	#110	004-184	#165	004-206
#57.5	004-163	#112.5	004-185	#167.5	004-207
#60	004-164	#115	004-186	#170	004-208
#62.5	004-165	#117.5	004-187	#172.5	004-209
#65	004-166	#120	004-188	#175	004-210
#67.5	004-167	#122.5	004-189	#177.5	004-211
#70	004-168	#125	004-190	#180	004-212
#72.5	004-169	#127.5	004-191	#182.5	004-213
#75	004-170	#130	004-192	#185	004-214
#77.5	004-171	#132.5	004-193	#187.5	004-215
#80	004-172	#135	004-194	#190	004-216
#82.5	004-173	#137.5	004-195	#192.5	004-217
#85	004-174	#140	004-196	#195	004-218
#87.5	004-175	#142.5	004-197	#200	004-220
#90	004-176	#145	004-198	#205	004-222
#92.5	004-177	#147.5	004-199	#210	004-223
#95	004-178	#150	004-200	#215	004-353
#97.5	004-179	#152.5	004-201	#220	004-350
#100	004-180	#155	004-202	#230	004-351
#102.5	004-181	#157.5	004-203	#240	004-352

Mikuni Dealer Main and Pilot Jet Kit



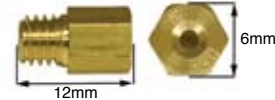
Genuine OEM 4/042 large hex main jets and N224.103 pilot jets.
Made in Japan.

Mikuni Dealer Main and Pilot Jet Kit, sizes #350 - #500 Main Jets and sizes #32.5 - #65 Pilot Jets.

Order No. 004-999

Kit Includes qt 2 of the following jet sizes:
Main Jets: #350, #360, #370, #380, #390, #400, #410, #420, #430, #440, #450, #460, #470, #480, #490, #500.
Pilot Jets: #32.5, #35, #37.5, #40, #45, #50, #55, #60, #60.
Total jets: 50 with storage box.

Large Hex 4/042



Applications: VM18 Clamp-On, VM24-512, VM26-606, OEM TMX Late Series, Needle Jet Series - 159, 176, 183, 188, 192, 193, 205, 211, 224 with 4/042 hex main, **Honda** CR125R (00-07), CR250R (01-07), **Husqvarna** CR/WR125/250, **Kawasaki** KX125 (00-05), **Suzuki** RM125 (00-07), **Yamaha** YZ125 (95-08), RD350/400, YFZ350 Banshee (87-06) and many 2-stroke ATV and Offroad, **Polaris** Snowmobile 400XC/XCR with Mikuni TMX and **Polaris** 2-stroke ATV with VM carburetor.

Size	Order No.	Size	Order No.	Size	Order No.
#50	004-070	#175	004-095	#390	004-124
#55	004-071	#180	004-100	#400	004-125
#60	004-072	#185	004-101	#410	004-126
#65	004-073	#185	004-101	#420	004-127
#70	004-074	#190	004-102	#430	004-128
#75	004-075	#195	004-103	#440	004-129
#80	004-076	#200	004-104	#450	004-130
#85	004-077	#210	004-105	#460	004-131
#90	004-078	#220	004-106	#470	004-132
#95	004-079	#230	004-107	#480	004-133
#100	004-080	#240	004-108	#490	004-134
#105	004-081	#250	004-109	#500	004-135
#110	004-082	#260	004-110	#540	004-139
#115	004-083	#270	004-111	#560	004-141
#120	004-084	#280	004-112	#580	004-143
#125	004-085	#290	004-113	#600	004-145
#130	004-086	#300	004-115	#620	004-146
#135	004-087	#310	004-116	#640	004-147
#140	004-088	#320	004-117	#660	004-149
#145	004-089	#330	004-118	#680	004-150
#150	004-090	#340	004-119	#700	004-151
#155	004-091	#350	004-120	#720	004-153
#160	004-092	#360	004-121		
#165	004-093	#370	004-122		
#170	004-094	#380	004-123		

Replacement jets for each size are sold in quantities of 4 or more.

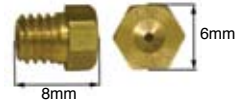
Small Round N102/221



Applications: Personal Watercraft (High Speed Jets) Super BN 38, BN44, BN46, BN38I, BN40I, BN44I, BN46I, Needle Jet Series 171, 188, 196. with small round.
Kawasaki KSF400 "KXF" (03-06), **Polaris** Predator and Outlaw 500 with Mikuni BSR carburetor, **Suzuki** ALT50 (1983), LT50 (84-87), LT-A50 (02-05), LT-Z400, DR-Z400 with Mikuni carb, SV650, **Yamaha** Generator (3G2), YFM660 Raptor, YXR660 Rhino Side x Side.

Size	Order No.	Size	Order No.	Size	Order No.
#30	004-333	#92.5	004-282	#155	004-307
#32.5	004-334	#95	004-283	#157.5	004-308
#35	004-335	#97.5	004-284	#160	004-309
#37.5	004-336	#100	004-285	#162.5	004-310
#40	004-337	#102.5	004-286	#165	004-311
#42.5	004-338	#105	004-287	#167.5	004-312
#45	004-339	#107.5	004-288	#170	004-313
#47.5	004-340	#110	004-289	#172.5	004-314
#50	004-255	#112.5	004-290	#175	004-315
#52.5	004-256	#115	004-291	#177.5	004-316
#55	004-267	#117.5	004-292	#180	004-317
#57.5	004-268	#120	004-293	#182.5	004-318
#60	004-269	#122.5	004-294	#185	004-319
#62.5	004-270	#125	004-295	#187.5	004-320
#65	004-271	#127.5	004-296	#190	004-321
#67.5	004-272	#130	004-297	#195	004-323
#70	004-273	#132.5	004-298	#200	004-325
#72.5	004-274	#135	004-299	#205	004-326
#75	004-275	#137.5	004-300	#210	004-327
#77.5	004-276	#140	004-301	#215	004-328
#80	004-277	#142.5	004-302	#220	004-329
#82.5	004-278	#145	004-303	#230	004-330
#85	004-279	#147.5	004-304	#240	004-331
#87.5	004-280	#150	004-305		
#90	004-281	#152.5	004-306		

Small Hex M10/14



Applications: Early Kawasaki rotary valve, 2-stroke singles and Yamaha small bore, 2-stroke singles.

Size	Order No.	Size	Order No.	Size	Order No.
#40	004-360	#105	004-235	#160	004-246
#50	004-224	#110	004-236	#165	004-247
#55	004-225	#115	004-237	#170	004-248
#60	004-226	#120	004-238	#175	004-249
#65	004-227	#125	004-239	#180	004-250
#70	004-228	#130	004-240	#185	004-251
#75	004-229	#135	004-241	#190	004-252
#80	004-230	#140	004-242	#195	004-253
#85	004-231	#145	004-243	#200	004-254
#90	004-232	#150	004-244		
#95	004-233	#155	004-245		
#100	004-234				

Press-In N208.099



Applications: Ducati late model CV and Yamaha YZF750 OEM BDST Carburetors (downdraft).

Size	Order No.	Size	Order No.	Size	Order No.
#110	004-700	#130	004-708	#150	004-716
#112.5	004-701	#132.5	004-709	#155	004-718
#115	004-702	#135	004-710	#157.5	004-719
#117.5	004-703	#137.5	004-711	#160	004-720
#120	004-704	#140	004-712	#165	004-722
#122.5	004-705	#142.5	004-713	#170	004-724
#125	004-706	#145	004-714	#175	004-726
#127.5	004-707	#147.5	004-715	#190	004-727

Large Thread VM11/22



Applications: Suzuki LT-Z50 (06-07), LT-Z90 (2007), Yamaha YFM50 Raptor, YFM80 Badger, YFM80 Raptor, TTR90 (00-07).

Size	Order No.	Size	Order No.	Size	Order No.
#50	004-740	#80	004-752	#130	004-764
#52.5	004-741	#82.5	004-753	#135	004-765
#55	004-742	#85	004-754	#140	004-766
#57.5	004-743	#87.5	004-755	#145	004-767
#60	004-744	#90	004-756	#150	004-768
#62.5	004-745	#95	004-757	#155	004-769
#65	004-746	#100	004-758	#160	004-770
#67.5	004-747	#105	004-759	#165	004-771
#70	004-748	#110	004-760	#170	004-772
#72.5	004-749	#115	004-761	#175	004-773
#75	004-750	#120	004-762	#180	004-774
#77.5	004-751	#125	004-763		

Sudco Jet Carrier



Stores 20 main jets, 6 pilot jets (Keihin & Mikuni) and 3 needle jets. Keihin PE, PJ, PWK, PWM needle jets and Mikuni 4, 5, and 6 series. Jets not included. **Order No. 002-405**

Motion Pro Main Jet Wrenches



These high quality, die cast construction wrenches have a rubber snap-off lid on body for storage of extra jets. Sold each.

Description	Order No.
6mm Round	950-417
6mm Hex	950-415
8mm Hex	950-416

Keihin/Mikuni Main Jet Wrench



Sold each. **Order No. 950-401**

Air Box Adapters & Manifold Adapters



005-044



005-013



005-066



005-038



005-026



005-848

Honda

Model	Year	Description	Reference	Carb	Qt	Order No.
FL250 Odyssey	77-84	Manifold	SM-49A	30, 32, 34, 36, 38	each	005-052
FL250 Odyssey	77-84	Rubber Flange	M-VM-34-200K	30, 32, 34	each	002-053
FL250 Odyssey	77-84	Rubber Flange	M-VM-36-200K	36, 38	each	002-054
TRX250X		Air Box Adapter	_____	VM30 - 34/TM36	each	005-075
XR250R	84-85	Manifold	SM-56		each	005-067
XR250R	84-85	Rubber Flange	M-VM-34-200K		each	002-053
XR250R	84-85	Air Box Adapter	_____		each	005-077
XR350R	83-84	Manifold	SM-56		each	005-067
XR350R	83-84	Rubber Flange	M-VM-34-200K		each	002-053
XR350R	83-84	Air Box Adapter	_____		each	005-077
XR400R	96-04	Air Box Adapter	_____	TM36	each	005-078
XR650R	00-07	Air Box Adapter	_____	TM40	each	005-820
XR650R	00-07	Intake Spigot	XR-05	TM40	each	005-822
CB750 SOHC (pre 1979)	69-78	Intake Manifolds	VM29/A2HSM	VM29 Smoothbore	set 4	005-026

Harley Davidson®

Sportster® 900/1000		Manifold with hose	SM-7	VM36, 38	each	005-013
Shovelhead		Manifold with hose	SM-7	VM36, 38	each	005-013
Knucklehead, Panhead		Manifold	SM-9	VM36, 38	each	005-015
Knucklehead, Panhead		Manifold	SM-10	VM40, 44	each	005-016
Evo Adapter Ring	1990 on		MK-413	TM40, 44	each	005-095

Norton

Atlas (Single Carb)		Manifold		VM30, 32, 34	each	005-088
Atlas (Single Carb)		Rubber Flange	M-VM-34-200K	VM30, 32, 34	each	002-053
Commando 750/850 (Single Carb)		Manifold	SM-23	VM32, 34	each	005-037
Commando 750/850 (Single Carb)		Rubber Flange	M-VM-34-200K	VM32, 34	each	002-053
Commando 750/850 (Single Carb)		Manifold	SM-23A	VM36, 38	each	005-038
Commando 750/850 (Single Carb)		Rubber Flange	M-VM-36-200K	VM36, 38	each	002-054
Commando 750/850 (Dual Carb)		Manifold	SM-18	VM30, 32, 34	each	005-036
Commando 750/850 (Dual Carb)		Rubber Flange	M-VM-34-200K	VM30, 32, 34	each	002-053

Triumph

Bonneville (Flange Mount)	72-78	Manifold	SM-44	VM30, 32, 34	pair	005-060
Bonneville (fine Thread pitch 20)	63-88	Manifold with hose	SM-14	VM30, 32, 34	pair	005-044
Bonneville (coarse Thread pitch 16)	Mid 69-72	Manifold with hose	SM-13	VM30, 32, 34	pair	005-043
Bonneville	Mid 72-78	Manifold	SM-44	VM30, 32, 34	each	005-060A
TR6, TR7 single	up to 1981	Manifold	SM-43	VM30, 32, 34	each	005-045
TR6, TR7 single	up to 1981	Rubber Flange	M-VM-34-200K	VM30, 32, 34	each	002-053

Yamaha

YSR50	87-92	Manifold	SM-55	VM20 - 22	each	005-066
YFZ350 Banshee	87-06	Manifold only			each	005-847
YFZ350 Banshee	87-06	Manifold with VM28/200 Flanges	(002-050)	26 - 28	kit	005-848
YFZ350 Banshee	87-06	Manifold with VM34/200 Flanges	(002-053)	30 - 35	kit	005-849
XS650	all	Intake Flange		VM34	each	005-815
XS650	all	Air Filter Adapter		VM34	each	005-079



DF44-211



DF52-136



DF52-21



DF52-73



DF52-92



DF62-702

Mikuni Pulse Fuel Pumps

Mikuni Pulse Fuel Pumps employ an engine's fluctuating engine crankcase pressure to pump fuel from a remote fuel tank to an engine's carburetor(s). Applications include Personal Watercraft and Snowmobiles. Sold each.

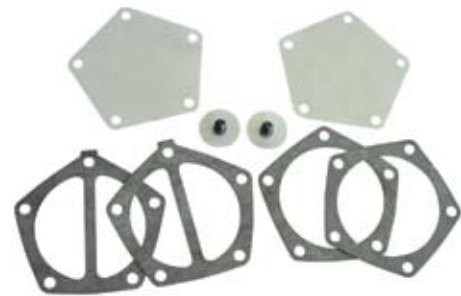
Mikuni No.	Number of Outlets	Style	Mounting	Flow Rate Liter/Hour	Order No. Fuel Pump	Order No. Rebuild Kit
DF44-211 (DF44-227)	1	Square	Flush	14	002-220	002-225
D52-21 (DF52-176)	2	Round	Bracket	35	002-221	002-223
DF52-73	2	Round	Flush	35	002-228	002-223
DF52-92	3	Round	Flush	35	002-229	002-223
DF52-136	2	Square	Flush	31	002-222	002-226
DF62-702	2	Pentagon	Flush	65	002-227	002-226



002-225



002-223



002-226

Mikuni Fuel Pump Rebuild Kits

Sold in kits. See contents listing for parts in each kit.

Mikuni Kit No.	Order No.			
Mikuni Kit No. MK-DF44 Fits DF44 Fuel Pump.	002-225			
Contents	Description	Qt.	Remarks	
CW2=0416	Screw	4	with lock washer	
DF44-201/03	Gasket	1	Fiber	
DF44-201/04	Diaphragm	1	Clear	
DF44-201/05	Membrane	1	Thin Rubber	

Mikuni Kit No.	Order No.			
Mikuni Kit No. MK-DF52 Fits ALL DF52 Fuel Pumps except DF52-136.	002-223			
Contents	Description	Qt.	Remarks	
DF52-105	Gasket	1	Thick Fiber	
DF52-48/10	Diaphragm	2	Transparent Film	
DF52-48/05	Gasket	1	Thin Rubber	
DF52/113	Gasket	1	Thin Rubber	
DF52/36A	Gasket	1	Thick Fiber	
DF52/27A	Valve	2	Clear	
DF44/26	Grommet	2	Black	

Mikuni Kit No.	Order No.			
Mikuni Kit No. MK-DF62 Fits DF62 Fuel Pump	002-226			
Contents	Description	Qt.	Remarks	
DF62-601/03	Gasket	2	Paper Gasket	
DF62-601/04	Diaphragm	2	Clear	
DF62-701/03	Gasket	2	Paper Gasket	
DF62-701/05	Check Valve	2	Clear Grommet	

YXR660 Rhino Fuel Pump Rebuild Kit (NEW)

Mikuni Kit No. MK-DF52-531 [Order No 002-224](#)
Fits Yamaha OEM Fuel Pump for YXR450/YXR660 Rhino side x side.

Note: Fuel Pump Rebuild Kit for DF52-136 is not available.

Exhaust
Chemicals
Intake
Control
Suspension
Engine
Electrical
Vintage
Tools
Watercraft



Honda ATC/TRX250R



Yamaha YFS200 Blaster



Yamaha YFZ350 Banshee Carb Boots

UPP ATV Intake Manifolds

Made of polyurethane. Stronger, tougher and more durable than products made with conventional elastomers and plastic. No cracking or ripping with these bullet proof manifolds. Out performs the stock rubber manifolds. Sold in pairs and each as noted.

Honda ATV

Model	Year	Carb Application	Qt	Order No.
ATC250R	85-86	Stock	pair	005-830
ATC250R	85-86	PWK 38 - 39mm	pair	005-831
TRX250R	86-89	Stock	pair	005-830
TRX250R	86-89	PWK 38 - 39mm	pair	005-831



Yamaha YFZ350 Banshee

Yamaha YFM660 Raptor

Yamaha ATV (UPP cont.)

Model	Year	Carb Application	Qt	Order No.
YFS200 Blaster	88-06	Stock	each	005-840
YFS200 Blaster	88-06	PJ34, PWK33 - 35 TM34	each	005-841
YFZ350 Banshee	87-06	Stock, PWK28 With boost holes at top	pair	005-835
YFZ350 Banshee	87-06	PJ34, PWK33 - 35 TM34. With boost holes at top	pair	005-836
YFZ350 Banshee	87-06	PJ34, PWK33 - 35 TM34. No boost holes at top	pair	005-837
YFZ350 Banshee	87-06	PWK38 - 39, TM38 TM34. No boost holes at top	pair	005-844
YFM660 Raptor	01-05	Stock, FCR35, FCR39	pair	005-839

UPP Carb Boots for Yamaha YFZ350

For mounting carburetor to stock airbox. Made of polyurethane. Stronger, tougher and more durable than the stock rubber boots. Sold in pairs.

Model	Year	Carb Application	Qt	Order No.
YFZ350 Banshee	87-06	Stock, PWK28	pair	005-845
YFZ350 Banshee	87-06	PJ34, PWK33 - 35, TM34	pair	005-846



Honda CB750

UPP Intake Manifolds for Vintage Street

Honda

Model	Mfg. No.	Qt	Order No.
CB750 (SOHC)	VM29/A2HSM	set of 4.	005-026

For mounting aftermarket performance carburetors to CB750 (SOHC) from 1969 to 1978 SOHC models.

Yamaha

Model	Mfg. No.	Qt	Order No.
XS650 Twin		each	005-815

For mounting aftermarket Mikuni VM carburetors to XS650 2-cylinder models from 1970-1979. 70mm bolt hole center.

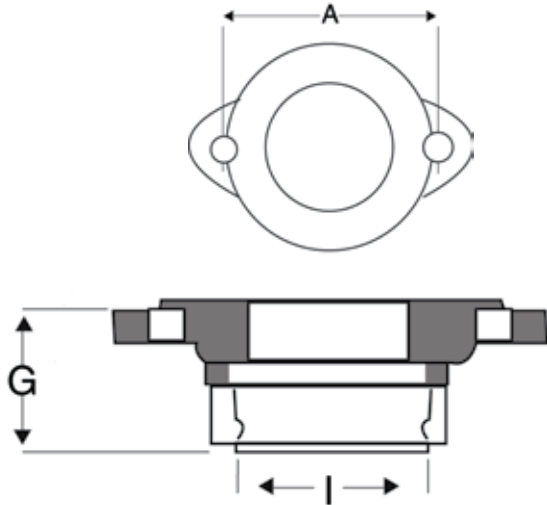
RZ350		pair	005-835
-------	--	------	---------

Replacement for OEM Mikuni carburetors on RZ350 from 1984-1985.



Hose Clamps

#24 Hose Clamp	38-50/ 12mm	005-098
#28 Hose Clamp	44-56/ 12mm	005-092
#40 Hose Clamp	58-75/ 12mm	005-097
Hose Clamp	TMX/ 002-32	007-498



002-056

002-054

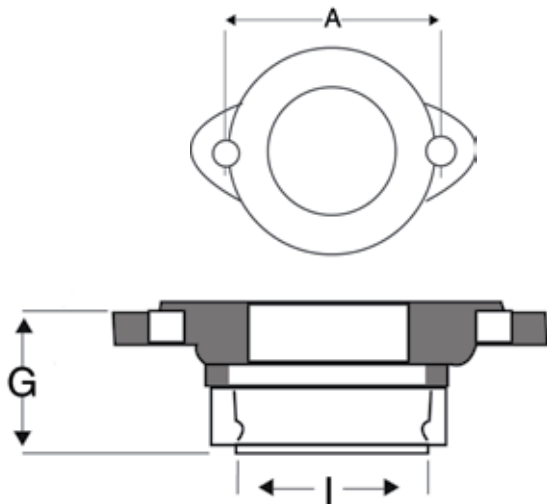
002-053

002-050

Mikuni Rubber Mounting Flanges (Diagram and Dimensions)

Sold each. Dimensions listed are millimeters.

8.5mm Bolt Hole Center (A)	Carb Bore Size	Carb Spigot Diameter (I)	Flange Throat Depth (G)	Typical Carb Size Reference No.	Mikuni No.	Order No.
60	30	35	28	26 - 28	M-VM28-200K	002-050
57	30	37	23	26 - 28	990-842-046	002-051
75	34	40	32	30 - 34	990-842-007	002-052
60	36	40	25	30 - 34	M-VM-34-200K	002-053
70	40	43	25	36 - 40	M-VM-36-200K	002-054
75	40	43	28	36 - 40	I-VM-38-200-1	002-055
75	46	52	32	40 - 44	M-VM40-200K	002-056
84	46	52	26	40 - 44	I-VM44-200-1	002-057
70-75	40	43	28	36 - 40	KHS-004	002-986
70-75	42	45	25	42	HS42/018-42K	007-460
70-75	42	45	25	45	HS42/018-45K	007-461
70-75	48	51	25	48	HS42/062-48K	007-467



005-800



005-801



005-802



005-810

Amal to Mikuni Rubber Mounting Flanges

Sold each. Dimensions listed are millimeters.

8.5mm Bolt Hole Center (A)	Carb Bore Size	Carb Spigot Diameter (I)	Flange Throat Depth (G)	Flange Throat Diameter	Mikuni Reference	Order No.
50.80 (2")	28	35	24	28	VM26 - 28	005-800
50.80 (2")	30	40	24	30	VM30	005-801
50.80 (2")	32	40	24	34	VM32	005-802
65	36-38	43	28	37.5	VM36/38	005-810